

Hi-Impact Dome Camera

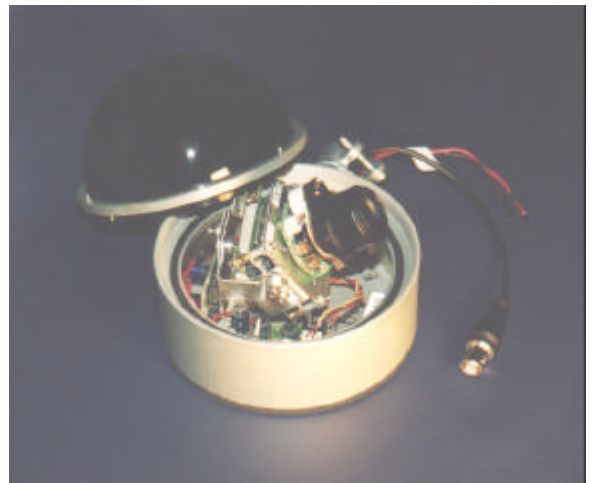
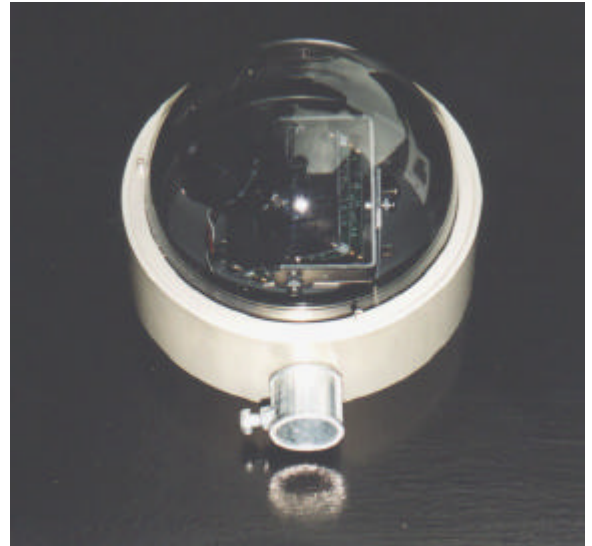
EX46 Full House Dome
with Varifocal Auto-Iris Lenses

The **EX46 FULL HOUSE** is a deep version of the EX45 that can house all of Extreme CCTV's available options, including the new varifocal auto-iris lens. It also allows for easy connection to standard size conduit.

The new auto-iris DC-drive lens has variable focal lengths from 4 mm to 8 mm. The tiny full-feature lens fits perfectly inside the 4 1/2" diameter polycarbonate dome allowing XYZ axes rotation.

The EX46, model is CNC milled and impressively finished in anodized aluminum for a rugged hi-tech look suitable for today's technology-wired buildings. Equipped with the new auto-iris varifocal lens, this toughened compact dome camera can rival high performance conventional full size cameras for the broad light dynamics or an outdoor scene but with the advantages of attractive vandal resistant design.

- Varifocal Auto-Iris Lens 4.0 – 8.0 mm Focal Length
- Tough Polycarbonate Dome – Optically-Correct
- VRB Power Protected
- Mono / Color / Quattro and X-Wave Models available.



Above Top: The EX46 FULL HOUSE can accommodate a standard conduit fitting along with all of Extreme CCTV's available electronic equipment options.

Above: The new varifocal auto-iris lens has easily accessible lens control pots. A new all-metal x-y-z gimbal has double set-screw hardware to ensure stable lens positioning.

Left: A tough optically-correct polycarbonate dome is held secure with a solid metal retaining ring that clamps the dome down onto its solid anodized aluminum base.

Dealer / Distributor :

SPECIFICATIONS: EX46 FULL HOUSE
CAMERAS:

S300, S600, SX400, SX600, C300, C400, C700, QX400, QX600 and other CCD models can be supplied with the EX46 FULL HOUSE Camera. See individual Tech Sheets on these CCD models.

LENS: VARIFOCAL

	<u>Varifocal Fixed Iris</u>	<u>Varifocal Auto-Iris</u>
Format	1/3"	1/3"
Mount	M13 x 1.0 Pitch	M13 x 1.0 Pitch
Focal Length	4.0 to 8.0 mm	4.0 to 8.0 mm
Aperture Ratio	F2.0 to F2.8 – 360	F2.0 to F2.8 – 360
Angle of View (Horizontal)	70.1 – 26.7 degrees	70.1 – 26.7 degrees
Angle of View (Vertical)	51.6 – 26.5 degrees	51.6 – 26.5 degrees
Lens Driver	NONE	DC Type
ALC – Auto Level Control	NONE	Average / Peak Lighting
LEVEL Adjust	NONE	L-H for IRIS Aperture
Dimensions	26.5 dia. x 37.9 mm	28 dia. x 38.0 mm
Weight	29 grams	35 grams

PART NUMBERS:

NOTE: Substitute EX46 with EX47 or EX48 for Royal Flush and Conical No-Grip models.

Hi-Impact Dome Camera with Varifocal Fixed Iris

EX46S.3-V408 Mono DSP Sony 1/3" CCD 420 line w/ BLC, Varifocal Lens 4 - 8 mm
 EX46C.3-V408 Color DSP Sony 1/3" CCD 350 line w/ BLC, Varifocal Lens 4 - 8 mm

Mono Hi-Impact Dome Camera with Varifocal Auto-Iris

EX46S.3-VA408 Mono DSP Sony 1/3" CCD 420 line w/ BLC, Varifocal AI Lens 4 - 8 mm
 EX46S.6-VA408 Mono DSP Sony 1/3" CCD 600 line, Varifocal AI Lens 4 - 8 mm

Color Hi-Impact Dome Camera with Varifocal Auto-Iris

EX46C.3-VA408 Color DSP Sony 1/3" CCD 350 line w/ BLC, Varifocal AI Lens 4 - 8 mm
 EX46C.4-VA408 Color DSP Sony 1/3" CCD 380 line, Varifocal AI Lens 4 - 8 mm
 EX46C.7-VA408 Color DSP Sony 1/3" CCD 480 line w/ BLC, Varifocal AI Lens 4 - 8 mm

X-Wave Extended Infrared Sensitive

EX46SX.4-VA408 Mono DSP 1/3" CCD SX400 X-IR, 420 line, Varifocal AI Lens 4 - 8 mm
 EX46QX.4-VA408 Quattro DSP 1/3" CCD, CX400 X-IR, 380 TVL, BLC, Varifocal AI Lens 4 - 8 mm
 EX46QX.6-VA408 Quattro DSP 1/3" CCD, CX600 X-IR, 480 TVL, BLC, Varifocal AI Lens 4 - 8 mm

OPTIONS:

- **Base Metal Colors:** b = black anodized, a = silver anodized
- **Polycarbonate Dome Tints:** c = clear, h = half tint, f = full tint

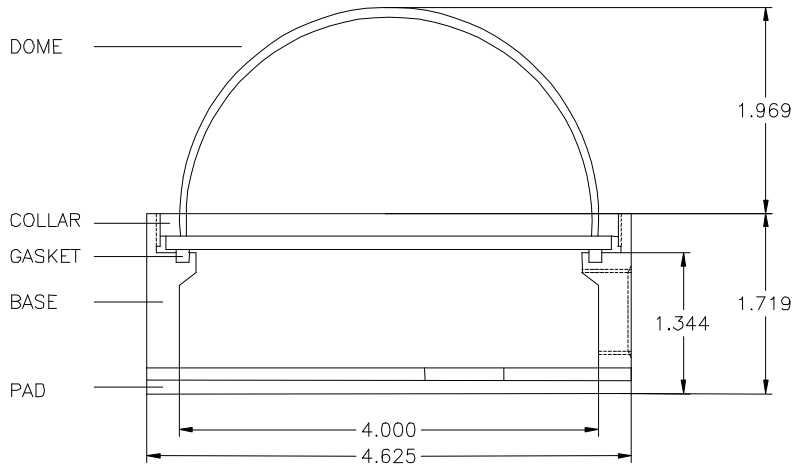
Eg. EX46C.7-VA408bh

Dealer / Distributor :

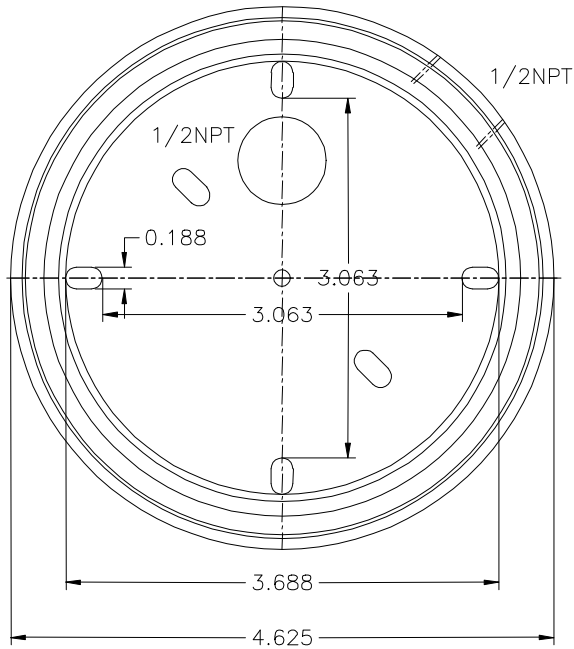
Global HQ: www.ExtremeCCTV.com

USA / Canada: 4060 McConnell Dr., Burnaby, BC Canada V5A 3A8

Toll Free N.A. 888-409-2288 Tel. +1.604.420.7711 Fax +1.604.420.3300



SIDE VIEW
MODEL EX46



TOP VIEW
MODEL EX46

Dealer / Distributor :

Global HQ: www.ExtremeCCTV.com

USA / Canada: 4060 McConnell Dr., Burnaby, BC Canada V5A 3A8

Toll Free N.A. 888-409-2288 Tel. +1.604.420.7711 Fax +1.604.420.3300