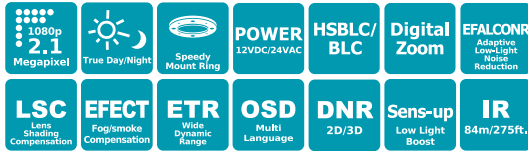


EZH5242

1080p HDcctv IP66 IR Bullet Camera



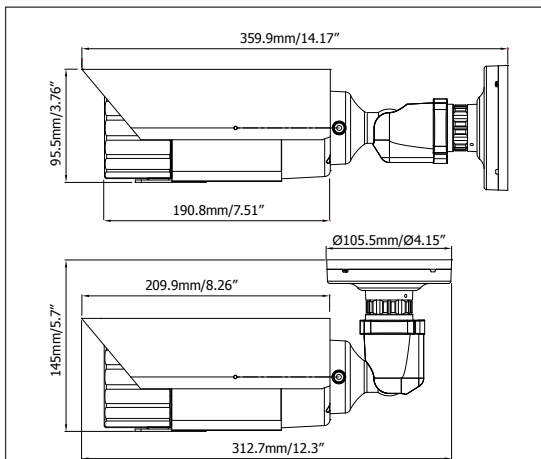
HDcctv



Features

- 2.1 Megapixel 1920x1080p HDcctv HD video over coax for superlative image detail
- 2.8~10mm AI VF Megapixel lens plus optional electronic Lens Shading Compensation captures the desired field of view with uniform image illumination
- True day/night operation with 44 IR LEDs for effective range up to 84m/~275 ft.
- Provides ICR/2D&3D DNR/EFALCONR/SENS-UP (up to 60x) to improve image clarity in low light scenes
- ETR (EverFocus Tone Reproduction) to deliver properly exposed images despite bright light sources, deep shadows and/or unbalanced lighting in the same scene
- HSBLC/BLC with programmable zones aid in control of image exposure and contrast in the presence of concentrated light sources such as automobile headlights or from deep shadows surrounding objects of interest
- EFECT (EverFocus Enhanced Contrast Technology) delivers recognizable images despite interference from fog or smoke
- Digital zoom increases effective lens magnification and includes PIP viewer for adjusting electronic pan, tilt and zoom
- Up to 8 Privacy Zones programmable for size, location and color detection
- Dead pixel compensation for increased clarity and extended service life
- Easy to use OSD setup menu for digital signal processing feature control
- SD TV Out to aim and focus using a standard hand held test monitor
- Dual Voltage Power Source 12VDC/24VAC
- Weather Resistant IP66 rated with performance in cold climates down to -40 degrees

Dimensions



Specifications

Pickup Device	1/3" Panasonic 2.1 Megapixel Color Progressive CMOS sensor
Image Pixels	1920(H) x 1080(V) with 2.75µm x 2.75µm pixel size
HDcctv Image Area Dimensions	5.28mm(H) x 2.97mm(W); ø 6.06mm area diagonal
Angle of View	Wide end: Diagonal 94.5°; Horizontal 86.6°; Vertical 55.9° Narrow end: Diagonal 33.7°; Horizontal 29.6°; Vertical 16.9°
Sensitivity	0.4 Lux/F=1.2; 0 Lux(IR LED ON)
S/N Ratio	Max. 50dB
Video Format Main Output	HDcctv
Video Resolution/Mode Main Output	1920 x 1080p 30/25
Main Output Connector	BNC
Video Format Test Output	NTSC/PAL selectable
Test Output Connector	Pin header; adapter cable to BNC supplied
Lens Type	DC Iris Megapixel Varifocal lens, f=2.8m~10mm
IR LEDs	44 LEDs with wavelength of 850nm
IR Range	Up to 84m/275ft. (depends on scene IR reflectivity)
True Day/Night Control	Yes (Auto IR cut filter removal)
OSD Menu	Yes (controlled from 5-axis joystick control)
Electronic Shutter	Auto/Manual selectable
Polestar SENS-UP	Low light boost 2X~60X (recommended no more than 8X without careful consideration of application conditions)
EverFocus Tone Reproduction (ETR)	Off/Low/Medium/High [Electronic Wide Dynamic Range]
Lens Shading Compensation	On/Off
Back Light Compensation (HSBLC=Highlight Suppression Back Light Compensation)	Off/BLC/HSBLC BLC (select areas from 8x15 grid) HSBLC (4 zones programmable for size and location)
Auto Gain Control	Low/Middle/High
Auto White Balance	ATW/Push/Manual/Outdoor/Indoor
DNR	Common Level Adjust 0~100 2D DNR – On/Off; 3D DNR –On/Off EFALCONR [EverFocus Adaptive Luminance Compensated Optimized Noise Reduction] –On/Off
EFECT (EverFocus Enhanced Contrast Technology)	Low/Middle/High EFECT improves contrast in smoke, fog and similar conditions
Digital Zoom	2X~64X with optional PIP mode for ease of electronic pan/tilt alignment
Motion Identification	On screen highlighting of changing areas
OSD Text Color Control	Custom camera title; ability to change text display color and turn black text outline off/on to contrast with scene
Image Flip	Off/H Flip/V Flip/HV Flip (rotate 180°)
Programmable Privacy Zones	8 areas independently adjustable for size, location, color
OSD Text Language Selection	English / Traditional Chinese / Simple Chinese / Japanese
Dead Pixel Compensation	Dynamic Method Off/On/Auto; Static Method Off/On; separate adjustable threshold levels
Power Source & Consumption	DC12V 650mA 7.8W (Max) AC24V 430mA 10W (Max)
Mounting	Speedy-mount ring attaches easily to mounting surface and fits 4" electrical box pattern; camera base attaches to ring or can be removed to fit 1" conduit thread
Weather Resistant	IP66 rated
Operating Environment	-40°C~50°C/-40°F~122°F
Dimensions (O.D. x L) (O.D. x H x L)	(In line) Ø105.5 x 359.9mm/Ø4.15" x 14.17" (Right angle) Ø105.5 x 145 x 312.7mm/Ø4.15" x 5.7" x 12.3"
Weight	1.5kg/3.31lbs
Certificates	CE, FCC