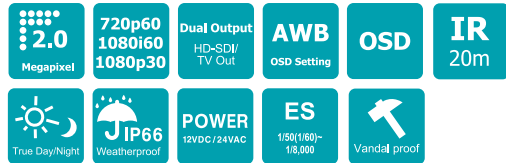


## EZH5240

2 Megapixel, HD-SDI, Outdoor Full HD IR Bullet Camera



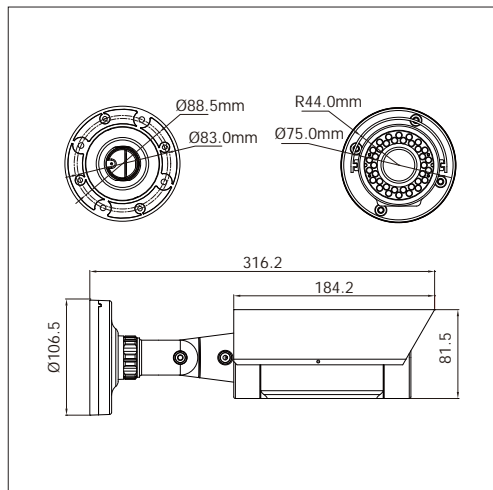
### HD CCTV



### Features

- HD-CCTV 2 Megapixel real time 1080p/1080i/720p HD video over coax
- 2 megapixel progressive scan CMOS sensor
- True day/night mode selectable with automatic ICR module
- Easy to use OSD setup menu
- Dual Video Output : Megapixel HD-SDI (BNC) plus SD TV Out (RCA) for installation
- Dual Power Source 12VDC/24VAC dual voltage
- Extended IR range of up to 40M with 36 LEDs and variable output IR control to manage illumination and conserve energy
- Split glad to prevent internal IR reflections
- Flexible mounting and positioning – speed – mount ring fits 4" round electrical box; or remove base to mate with 1" conduit
- E-Z lock ring at the base is designed with easy to grip tabs for firmly clamp the camera in place, plus a set screw for added security.
- Easy bottom access to video test point and lens control inside weatherproof cover plus Remote Zoom & Focus adjustment by web browser
- IP66 and vandal resistant

### Dimensions



### Specifications

<b>Image Sensor</b>	
Image Sensor	1/3" 2 megapixel CMOS sensor
Resolution	1920x1080
Sensitivity	0.5Lux/F=1.2
S/N Ratio	45dB
<b>Lens</b>	
Lens Type	Board type Lens
Aperture (F/No.)	1/1.2
Focus Length	3.3~12mm
View Angle(Diagonal)	125°~36°
Auto Iris	DC-Iris support
<b>Night vision</b>	
Night vision function	Built-in removable IR cut filter
<b>Image Processing</b>	
Video Format Main Output	HD-SDI
Image Resolution and Frame rate	1080i60/1080i50/1080p30/1080p25/720p60/720p50
Video Mode Main Output	Field select 1080i, 1080p or 720p
Auto Exposure Control	Yes
Electronic Shutter	1/60(1/50)~1/8000
Back Light Comp.	On/Off selectable
Auto Gain Control	High/Middle/Low/Off selectable
Auto White Balance	AWB/One Push WB/Manual WB/Indoor/Outdoor
Mirror	H_MIR, V_MIR
NEG_IMAGE	On/Off
<b>System</b>	
Main Output Connector	BNC-F
Test Output Connector	RCA-F
OSD Menu & Lens zoom control	Yes (controlled from rear 5-axis joystick control)
IR Distance	60M (TBD)
IR Wavelength	850nm
IR LED Lifespan	20,000 hours
Power	DC12V /AC24V
Power Consumption	8 watts max.
Environment	Operation: Temp: -10°C~50°C ; 14°F~122°F (20%~80% Humidity) Storage: Temp: -15°C ~ 60°C Humidity: 0% ~ 90% non-condensing
Approvals	FCC/CE class A

\* Models vary in different countries. Please visit EverFocus regional websites for detailed ordering information  
\* Lens models and availability vary in different regions

\* All product specifications are subject to change without notice