



EZ 425 – 1/3" outdoor day / night camera with IR LED



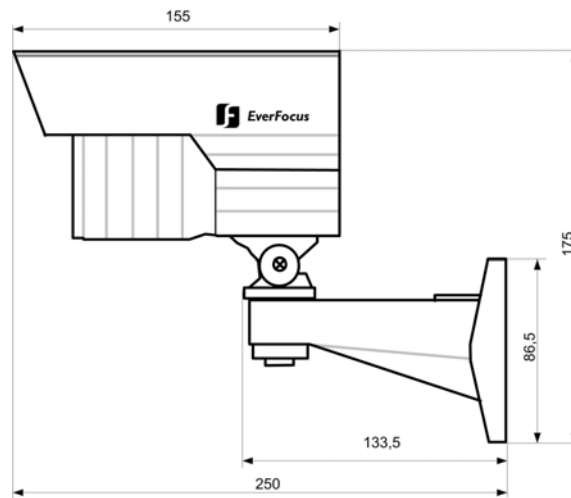
Features

- High resolution technology (520 TV lines)
- 48 powerful IR LED
- IR range 10 ~ 25 m
- Multiline OSD with key control at camera back panel
- Built-in 6~15mm varifocal lens (zoom/focus outside adjustable)
- Automatic or manual day/night control
- 4 adjustable privacy zones
- 8x8 zone motion detection with adjustable sensitivity
- IP65 weatherproof outdoor housing
- Integrated wall bracket

Technical data

Sensor	1/3" SONY IT CCD
Picture element	752 x 582 (PAL)
Horizontal resolution	520 TV lines
Sensitivity	0,4 lux (colour mode) / 0 lux (b/w mode)
IR illumination	48 IR LED
Recommended object distance	10 ~ 25 m (depending on reflections in scenery)
S/N ratio	> 60 dB (AGC off)
Gamma correction	0,05 ~ 1 adjustable
On-screen display	Multiline OSD with key control (camera back panel)
Day/night control	Automatic (adjustable delay and level on/off) / manual
Lens	Varifocal lens 6~15mm (zoom/focus outside adjustable), F = 1.4~C, manual Iris
Horizontal field of view	44° (f=6mm) ~ 18° (f=15mm)
Electronic shutter	1/50 ~ 1/100.000, automatic / manual / flickerless
Back light compensation	On / off (adjustable level and BLC area 8x8 zones)
White balance	ATW / AWC / 4x fixed mode / manual
AGC	0~40 dB adjustable
Camera title	On (16 characters, adjustable position) / off
Privacy zones	On / off (4 zones, position / size / tone)
Motion detection	On (8x8 zones, adjustable sensitivity) / off
Horizontal mirror	On / off
Picture adjustment	Brightness / contrast / red/blue gain
Video output	BNC VBS, 1 Vp-p / 75 Ohm
Synchronisation	Internal
Weatherproof rating	IP 65
Power source	12 V DC +/- 0,5V
Power consumption	0,15 A (IR off) max.; 0,55 A (IR on) max.
Ambient temperature	-20°C ~ +50°C
Dimensions (WxHxD)	88,5 x 84 x 155 mm (with sunshield / w/o bracket)
Weight	980 g

Dimensions



Ordering information

EZ 425 / P

1/3" day/night outdoor IR camera, 520 TV lines, IP65, 6~15mm DC varifocal lens, 12 V DC