



EHH5200

HDcctv

2 Megapixel 1080/720 HDcctv 3-Axis Outdoor Weather Resistant True Day/Night Vandal Dome Camera

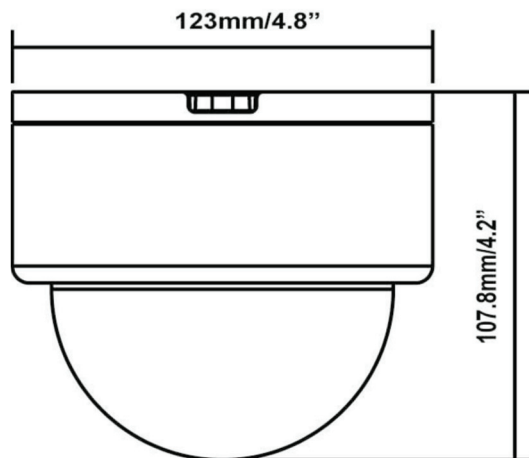
The EHH5200 is an HDcctv 3-axis outdoor dome camera with true Day/Night capability in an IP66 vandal proof housing. Based on a 2 megapixel progressive scan sensor for your choice of 1080 or 720 resolution HDcctv 100% digital images, it delivers vastly superior video quality compared to traditional CCTV images. HDcctv's superior resolution and megapixel technology not only has the benefit of capturing more critical detail for evidentiary purposes but also allows for a wider viewing area thus reducing the number of cameras required to monitor a scene. This directly reduces the overall capital investment required to improve the effectiveness of a surveillance system.

No major upgrade to the IT network is required to deploy this powerful technology; HDcctv cameras communicate at digital speeds up to 1.5Gb/s over existing or new coaxial cable (RG59 or other types for longer distances), using industry standard BNC connectors. With its 3-axis positioning and vari-focal 3.3~12mm megapixel auto iris lens the EHH5200 delivers flexible, robust coverage in a wide range of demanding surveillance environments while delivering stunning HD image quality .

Features

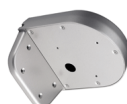
- HDcctv for real time megapixel video over coax
- Megapixel allows
 - Digital zoom with clarity
 - Wider area coverage vs. SD
- 1080HD (1920x1080 ~ 2 megapixel) or 720HD (1280x720 ~ 1 megapixel) field select
- HDcctv format field selectable: 1080i60/50, 1080p30/25 or 720p60/50
- 2 megapixel progressive scan CMOS sensor
- 3.3~12mm AI VF megapixel lens captures the desired field of view
- True day/night operation with automatic ICR module
- IP66 weather resistant
- Vandal Proof to resist attacks and tampering
- Easy to use OSD setup menu
- Back Light Compensation (BLC) and Auto White Balance (AWB)
- Flexible mounting and aiming
 - 3-axis positioning for wall or ceiling mounting
 - Standard definition TV out test point for aim & focus
 - Optional wall bracket BA-EDMS
- Dual Voltage 12VDC/24VAC with auto polarity detect

Pickup Device	1/2.7" 2-Megapixel CMOS sensor
Sensitivity	0.5lux/F=1.4
S/N Ratio	45dB
Video Format Main Output	HDcctv
Resolution Main Output	1920x1080 or 1280x720 field select
Video Mode Main Output	Field select 1080i60,1080p30 or 720p60 for 60Hz systems 1080i50, 1080p25 or 720p50 for 50Hz systems
Main Output Connector	BNC-F
Video Format Test Output	NTSC/PAL selectable 1V p-p
Test Output Connector	Pin header; adapter cable to BNC-F supplied
Electronic Shutter	Auto, 1/60(1/50)~1/8000
Lens Type	Megapixel Varifocal lens, Auto Iris, f=3.3~12mm, F=1.4
FOV Calc: 1080 Mode	6.61mm/image circle/diagonal; 5.76mm H x 3.24mm V
FOV Calc: 720 Mode	4.41mm/image circle/diagonal; 3.84mm H x 2.16mm V
True Day/Night Control	Yes (Auto IR cut filter removal)
Back Light Compensation	On/Off selectable
Auto Gain Control	High/Middle/Low/Off selectable
Auto White Balance	AWB/One Push WB/Manual WB/Indoor/Outdoor selectable
Gamma Correction	PC/TV selectable
OSD Menu	Yes (controlled from 5-axis joystick control)
Mirror	H_MIR/V_MIR/Rotate
Power Source	12VDC/24VAC
Power Consumption	24VAC: 5.5W max. (230mA nominal) 12VDC: 3.3W ma. (275mA nominal)
Dimensions (O.D. x H)	123 mm (O.D.) x 107.8 mm (H) 4.8" (O.D.) x 4.2 "(H)
Weight	740kg /1.6 lbs
Operating Temperature	-10°C~50°C ; 14°F~122°F
Weatherproof	IP66 rated
Vandal Resistant	Yes
Certifications	FCC/CE



Ordering Information

EHH5200: 2MP | 1080 HDcctv Outdoor Vandal Dome, 3.3-12mm



Optional Accessories:
BA-EDMS: "L" Mounting Bracket