



EHD 525 EX – 1/3" day/night rugged dome camera, high resolution, automatic IR cut filter



Features

- Vandal-proof IP66 outdoor housing
- High resolution technology (520 TV lines)
- Sony Exview™ CCD sensor
- Day/night function with automatically swiveling IR cut filter
- Integrated tamper contact (micro switch)
- Integrated DC varifocal lens (f=3,6~9mm)
- Integrated heater
- Optional wall bracket

Technical data

Sensor	1/3" Sony Exview™ CCD
Picture element	752 (H) x 582 (V)
Horizontal resolution	520 TV lines
Sensitivity	0,5 lux / F = 1.2 colour / 0,1 lux / F = 1.2 b/w
S/N ratio	Over 48 dB
Gamma correction	0,45
Day/night control	Automatically swiveling IR cut filter
Video output	1 Vp-p composite PAL
Synchronisation	Internal / line-lock (only 24 V AC)
Line-lock (24 V AC)	On / off
Back light compensation	On / off
Auto white balance	Yes
AGC	On / off
Electronic shutter	1:50 ~ 1:100.000
Tamper contact	Micro switch
Lens	DC varifocal lens f = 3,6 ~ 9 mm
Heater	Thermostat controlled
Heater activating temperature	+10°C
Casing	Zink diecasted, dome polycarbonate, clear
Weatherproof rating	IP 66
Power source	12 V DC +/- 10%, 24 V AC +/- 10%
Power consumption	5 W max. (15 W with activated heater)
Ambient temperature	-40°C ~ +50°C
Dimensions (WxHxD)	130 x 130 x 99 mm
Weight	1,7 kg

Accessories

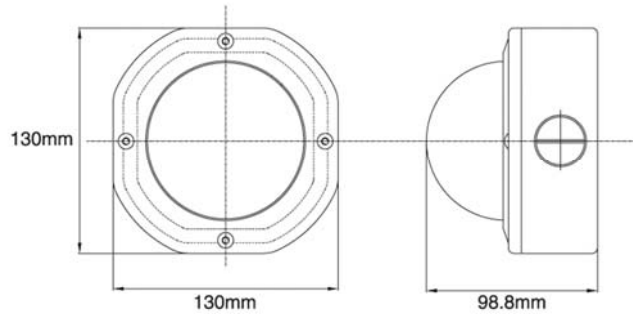
EHD WMA – wall mount bracket

Material: aluminium
 Dimensions (WxHxD): 150 x 110 x 170 mm
 Weight: 600 g
 Max. load: 4 kg
 Application: with EHD camera series



EHD525EX_db_en_rev02

Dimensions



Ordering information

EHD 525 EX / P	1/3" DSP day/night rugged dome camera, 520 TV lines, IP 66, 3,6~9mm DC lens, 12 V DC / 24 V AC
EHD WMA	Wall mount bracket for EHD camera series, aluminium, dimensions (WxHxD): 150 x 110 x 170 mm