



EBD 230 – 1/3" day / night camera with IR-LED

Specifications

Sensor: 1/3" SONY CCD

Picture element: 500 x 582 (PAL)

Horizontal resolution: 380 TV lines

Sensitivity: 0,3 lux / F = 1.2 (IR-LED off)

IR-LED: 14x, controlled by internal twilight switch, splitted front glass for low internal IR reflection

IR-LED lifetime: up to 50.000 h

IR range: 5~20m*

Video output: 1 Vp-p composite PAL

S/N ratio: over 48 dB

Gamma correction: 0,45

Synchronisation: internal

Back light compensation: yes

Auto white balance: yes

AGC: yes

Electronic shutter: 1:50 ~ 1:100.000

Lens: f=4,3mm / F2, M12 x P0,5

Mounting: ceiling or wall mounting, 3-axis adjustment of camera module

Casing: aluminium

Weatherproof rating: IP 66

Power source: 12 V DC +/- 10%

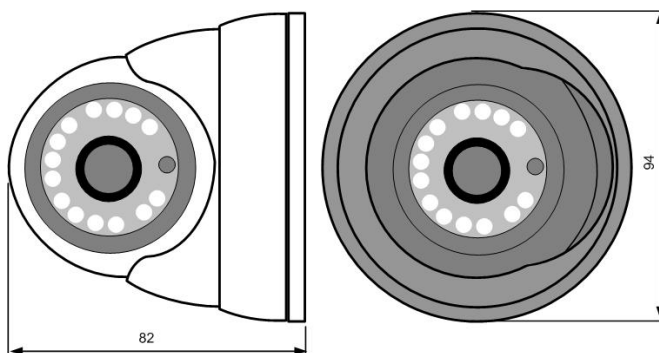
Power consumption: 6W max.

Ambient temperature: -10°C ~ +50°C

Dimensions: 94 (D) x 82 (H) mm

Weight: 450 g

- The IR illumination range depends on the location, particularly with regard to the reflections of the installation's surroundings. Locating the device near to highly absorbent surfaces can result in a significantly reduced range.



EBD230_db_en_rev01