

Video Security



Cameras | Mounts for Cameras

WD-13/E
Ceiling Mount w. Ball Joint, extendable
1/4" Camera Fixing Screw, RAL7032
Art-No. 70220



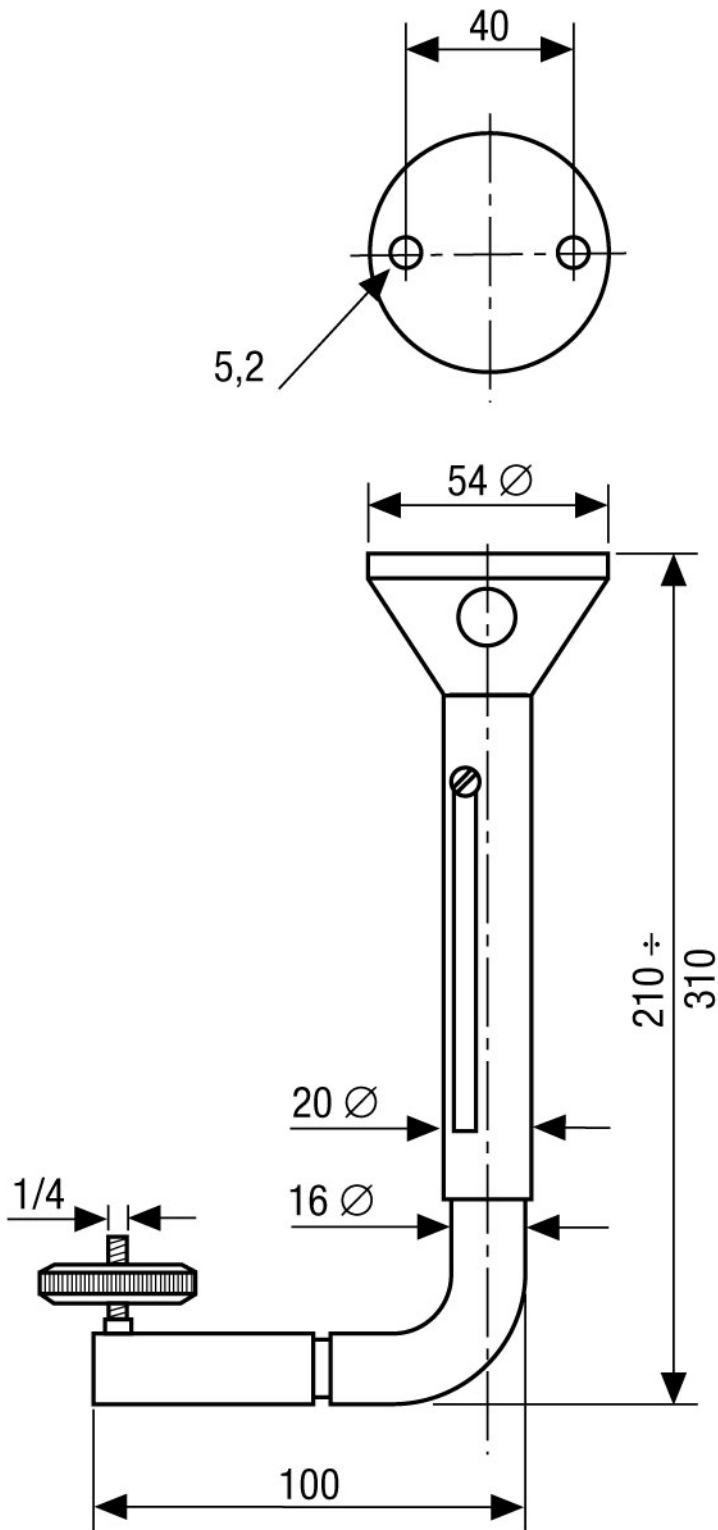
Features

For Ceiling Mounting
Adjustable Camera Mounting Position
Rugged Aluminium Construction

Adjustable Ball-point Head
Ready for Installation

Specifications

Load capacity	0.5kg
Camera mount	1/4" - 20 UNC thread
Material	Aluminium
Colour	RAL 7032
Weight	500g



Maße/Dimensions: mm

VIDEOR TECHNICAL E. Hartig GmbH
 Carl-Zeiss-Straße 8 · 63322 Rödermark · Germany
 Telefon +49 (0) 60 74/8 88-0 · Telefax +49 (0) 60 74/8 88-100
 info@videortechnical.com · www.videortechnical.com