



Mounts for Monitors

FDP-No. : 20051

W-31

- For Wall Mounting
- Suitable for Monitors/TV-Sets with Stable Cabinet
- High Load Capacity
- Easy to Turn and Tilt
- Lockable Tilt Angle
- TUEV/GS Approved
- Easy Installation

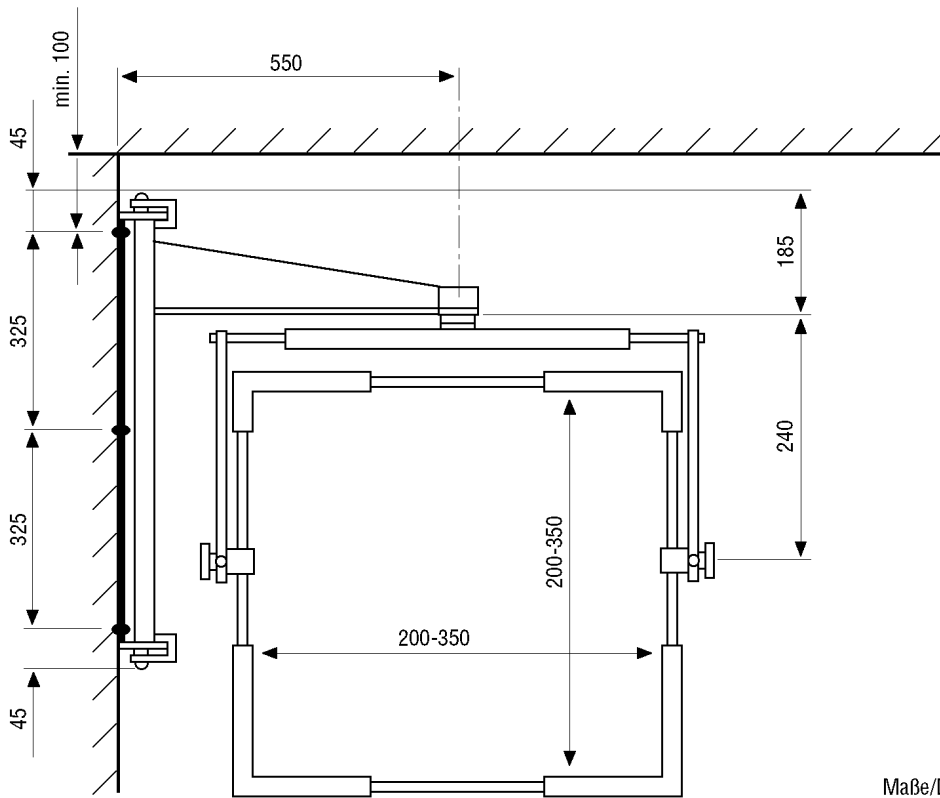


Specifications:

Load capacity	75 kg
Vertical built-in height range	200-350 mm
Horizontal built-in height range	200-350 mm
Length of the wall bracket	550 mm
Colour	Black
Dimensions (HxWxD)	See drawing
Weight	10.5 kg

Accessories

EDP No. / Type	Description
20070 BW-1	Mounting kit for W31/W41/W61/W71



Maße/Dimensions: mm

e-mail: info@eneo-security.com • www.eneo-security.com