

Video Security



Housings | eneo Economy Housings

VTL-W/N2

Weatherproof Housing (300mm) with
Heater/Thermostat, 230VAC

Art-No. 79484



Wall bracket is not included

Features

Camera Weatherprotection
Fold-down Housing Body
Insulated Camera Mounting
Housing Body Length: 300 mm

3 Cable Entries
Screen Heater Included
Protection Rating: IP 66

Specifications

Housing length (L)	300mm
Space for power supply	50mm
Cable entries	2x M16x1.5mm 1x M20x1.5mm
Clear Shield	no
Window heater	yes, 220 ~ 240V / 20watts with thermostat
Sunshield	yes
Hidden cable management	no
Integrated wall mount	no
Protection rating	IP66
Housing	outdoor housing
Housing material	aluminium
Colour (housing)	silver
Colour	Silvergrey anodized / black end caps
Dimensions (HxWxD)	See drawing
Weight	2.5kg

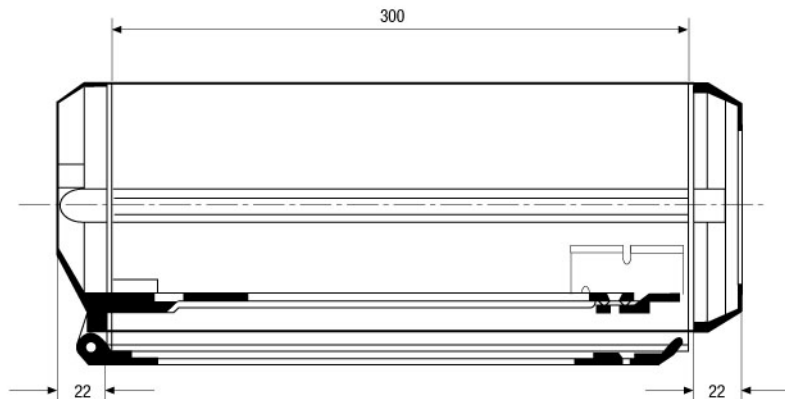
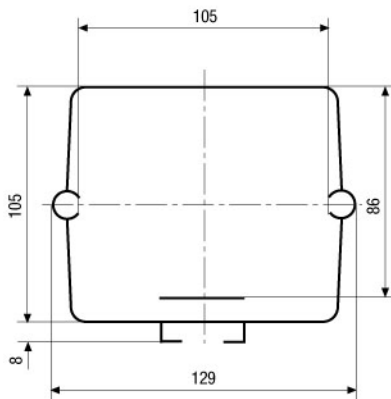
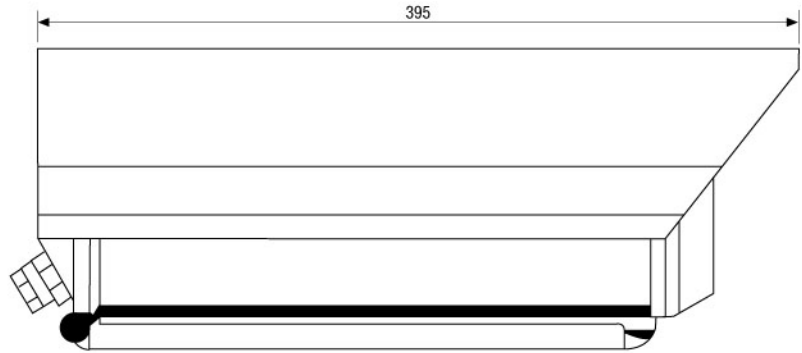
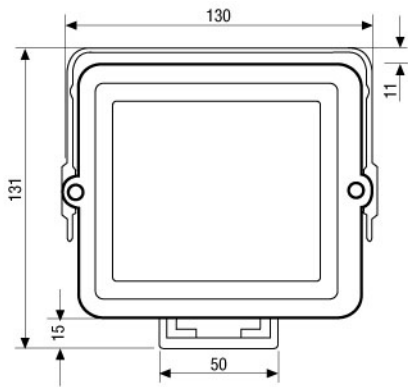
Accessories

79790 / WD-7/MK

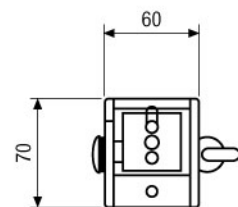
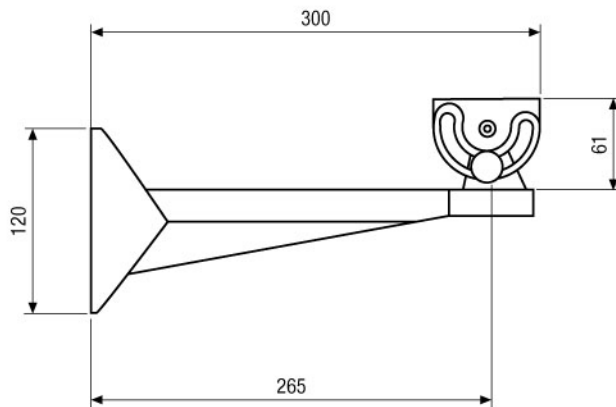
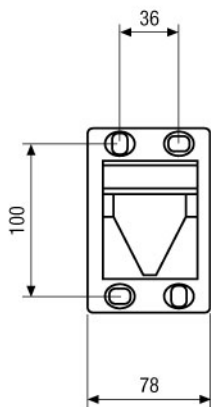
Wall Mount with Swivel Head for VTL Series Outdoor Housings, black

(Accessories continued)

79415 / NE-115	Power Supply Unit 230V/12VDC-400mA for Housings VTL-W/D-N2
79593 / PM-6D	Pole Mount Adapter for 2 Wall Mounts, (50-140mm Pole), RAL9002
79592 / PM-6S	Pole Mount Adapter for 1 Wall Mount, (50-140mm Pole), RAL9002
79613 / CMA-2	Corner Mount Adapter for Wall Brackets WD-5, WD-7, VTL-WW, VHK-WW, RAL9002



Wandhalterung / Wall bracket



Maße/Dimensions: mm

VIDEOR TECHNICAL E. Hartig GmbH
 Carl-Zeiss-Straße 8 · 63322 Rödermark · Germany
 Telefon +49 (0) 60 74/8 88-0 · Telefax +49 (0) 60 74/8 88-100
 info@videortechnical.com · www.videortechnical.com

