



## Compact & Indoor Housings

EDP-No.: 70744

### VT-DIT 5

- Wall or Ceiling Surface Mount Housing
- For Installation of One Board Camera
- Clear 5" Bubble with Inner Liner
- Preferable for Board Cameras
- Universal Camera Bracket Included

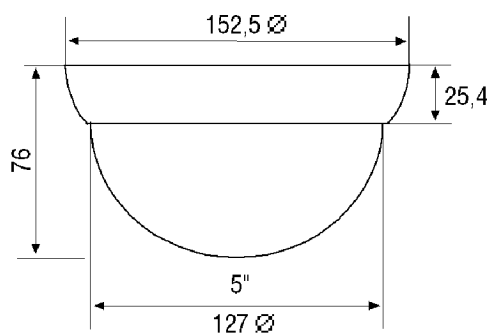


---

### Specifications:

---

<b>Bubble diameter</b>	127 mm
<b>Housing top</b>	Plastic
<b>Transmission Loss</b>	No
<b>Camera mount</b>	Universal fixing bracket for one board camera with build-in lens
<b>Colour</b>	Black (upper housing ring)
<b>Dimensions</b>	See drawing
<b>Weight</b>	Approx. 400 g



Maße/Dimensions: mm