



Pan & Tilt Units (Series VPT-40/41/42)

FDP-No.: 73557

VPT-41MC/24VP01

- 20 kg Load Capacity
- Supply Voltage: 24 VAC
- Built-in Manchester Code Control R/D Board
- Backlash: $<0,2^\circ$
- High Torques
- Potentiometers on Both Axes
- Rugged Housing
- No Maintenance Required
- Protection Rating: IP 66
- Option: Heaters



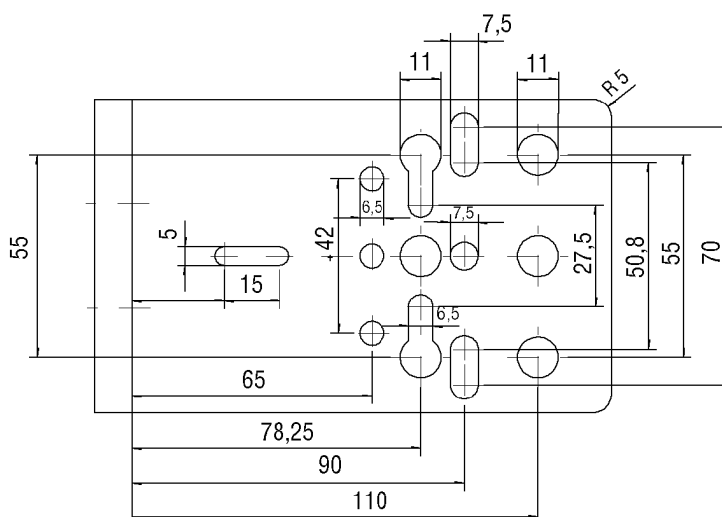
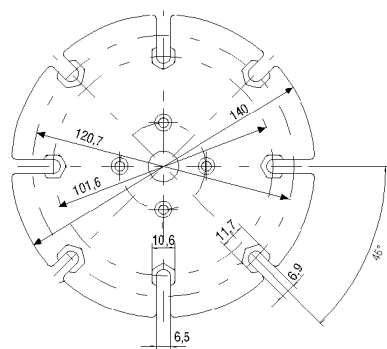
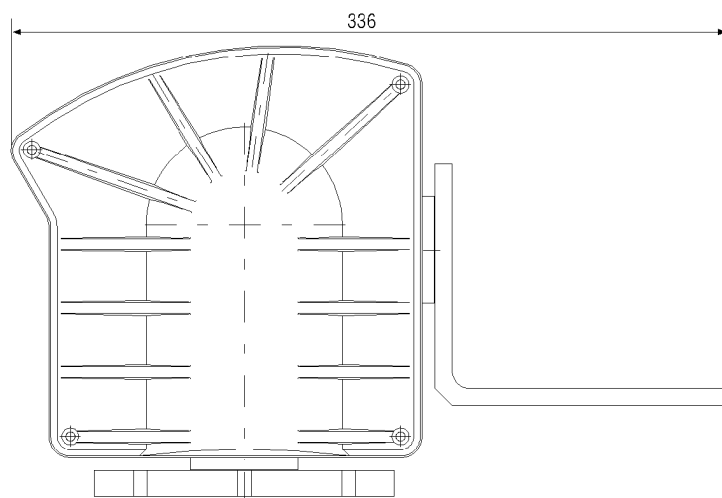
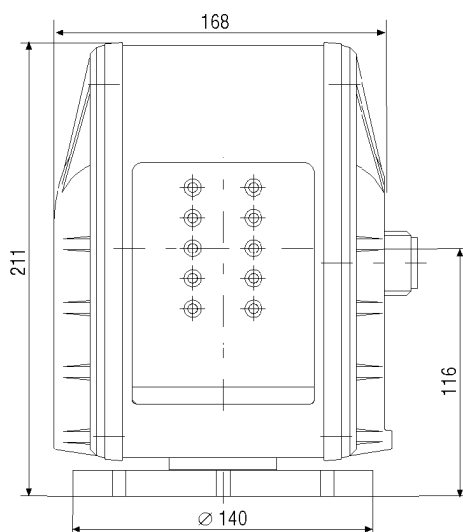
Specifications:

Load capacity	20 kg
Supply voltage	24 VAC (+/-10%) , 50/60 Hz
Power consumption	23,8 W
Control codes	RS485/RS232 switchable, TTY/20 mA:upon request Manchester
Max. torque at nominal speed	16,5 Nm horizontal / 33 Nm vertical (Running torques)
Angle of rotation	360° horizontal, +/-90° vertical
Backlash	$<0,2^\circ$
Limit switch control	Internally adjustable (Micro switcher)
Autopan function	Yes
Plug connections	7-pin and 13-pin sockets
Potentiometer on both axes	Yes
Supply voltage for lenses	0.6-11.5 VDC, adjustable
Camera voltage supply	12 VDC/0.5 A (Option: 24 VAC)
Protection rating	IP 66
Mounting	Upright or inverted
Housing	Aluminium frame with plastic covers
Colour	C31 anodized/RAL 7032
Temperature range	-20°C to +70°C

VPT-41MC/24VP01

Temperature range with built-in heater	-40°C to +70°C
Dimensions (HxWxD)	See drawing
Weight	7 kg
Parts supplied	Screw set, 7-pin and 13-pin connectors, Allen wrench key (4 mm)

Accessories	
EDP No. / Type	Description
73228 VPT-40/24VHZ-K	Heater kit for VPT-40/41 * installation by VT necessary
77488 VPT/IRB-4L	L-bracket for one LED infra-red illuminator 15W/30W/60W, suitable for VPT-40/41/42
77489 VPT/IRB-4T	T-bracket for two LED infra-red illuminators 15W/30W/60W, suitable for VPT-40/41/42
73008 WD-2N	Wall bracket for pan & tilt heads, recommended for VPT-40/41/42, light grey finish (RAL 7032)



Maße/Dimensions: mm

e-mail: info@eneo-security.com • www.eneo-security.com