

VMC-8LCD-CP01

Home | Security | Monitors | TFT/LCD

VMC-8LCD-CP01
8.0" (20.3cm) LCD/TFT Monitor, 800x600, 12VDC,

Pedestal, Silvergrey

Art-Nr. 90557



Main Features

8" (20.3cm) display screen size
PAL/NTSC Auto Selection
Multi language on-screen menu control
Resolution of 800x600 px.
CVBS, S-Video, RGB and audio input

Built-in loudspeaker
Angled monitor stand included
Supply Voltage: 12VDC
Robust plastic cabinet
Different ranges of application

Specifications

Video standard	PAL, NTSC (Auto detection)
Scanning frequency range (H)	15.63 ~15.73kHz
Scanning frequency range (V)	50 ~60Hz
Synchronization	TTL Separate, Composite
Display element	Colour TFT/LCD, Total no. of pixels: 480 000
Screen size	8"
Screen Size (cm)	20.3 cm
Active area	162 (H) x 121,5 (V) mm
Pixel format	800 (H) x 600 (V) / 0.2025x0.2025mm
Pixel fault class	ISO 13406-2, Class II
Resolution pixels	800 x 600
Contrast ratio typical	500:1
Brightness typical	360 cd/m ²
Viewing angle vertical	135°

VMC-8LCD-CP01

(Continuation Spezifications)

Viewing angle horizontal	140°
Response time typical	50 ms, Tr: 15ms, Tf: 35ms
PC interfaces	RGB, VESA standard: VGA to SVGA, 15-pin
Input signals	Composite video, S-VHS, RGB (switchable), Audio
Video inputs (type)	Y/C, composite (CVBS)
Video inputs	CVBS: 1Vp-p, 75ohms, Cinch Y/C: Y= 0.7Vp-p, C= 0.3Vp-p, 75ohms, 4-pin MiniDIN
Audio inputs	1, Mono input, 400mVrms
Loudspeaker	0.5watts
Menu languages	English, German, French, Spanish, Italian, Korean, Japanese
Supply voltage	12VDC +/-5% (Power supply unit included)
Power consumption	10W
External adjustments	On/Off, Menu, Mode, Cursor
Temperature range (Operation)	-10°C ~+60°C
Housing material	plastic
Mount	Angled stand and 4x threads M3 50x55mm, for wall mounting (see drawing)
Colour (housing)	silver grey
Dimensions (HxWxD)	see drawing
Weight	0.65kg
Parts supplied	Monitor stand, PSU 100~240V/12VDC with power cord, Multiple connection cable (S-Video IN, Power IN, CVBS IN, Audio IN), VGA cable, Cigarette lighter adapter cable, AV adapter cable, Cinch/BNC adapter, IR remote control unit, Multiple language manual
Certificates	CE

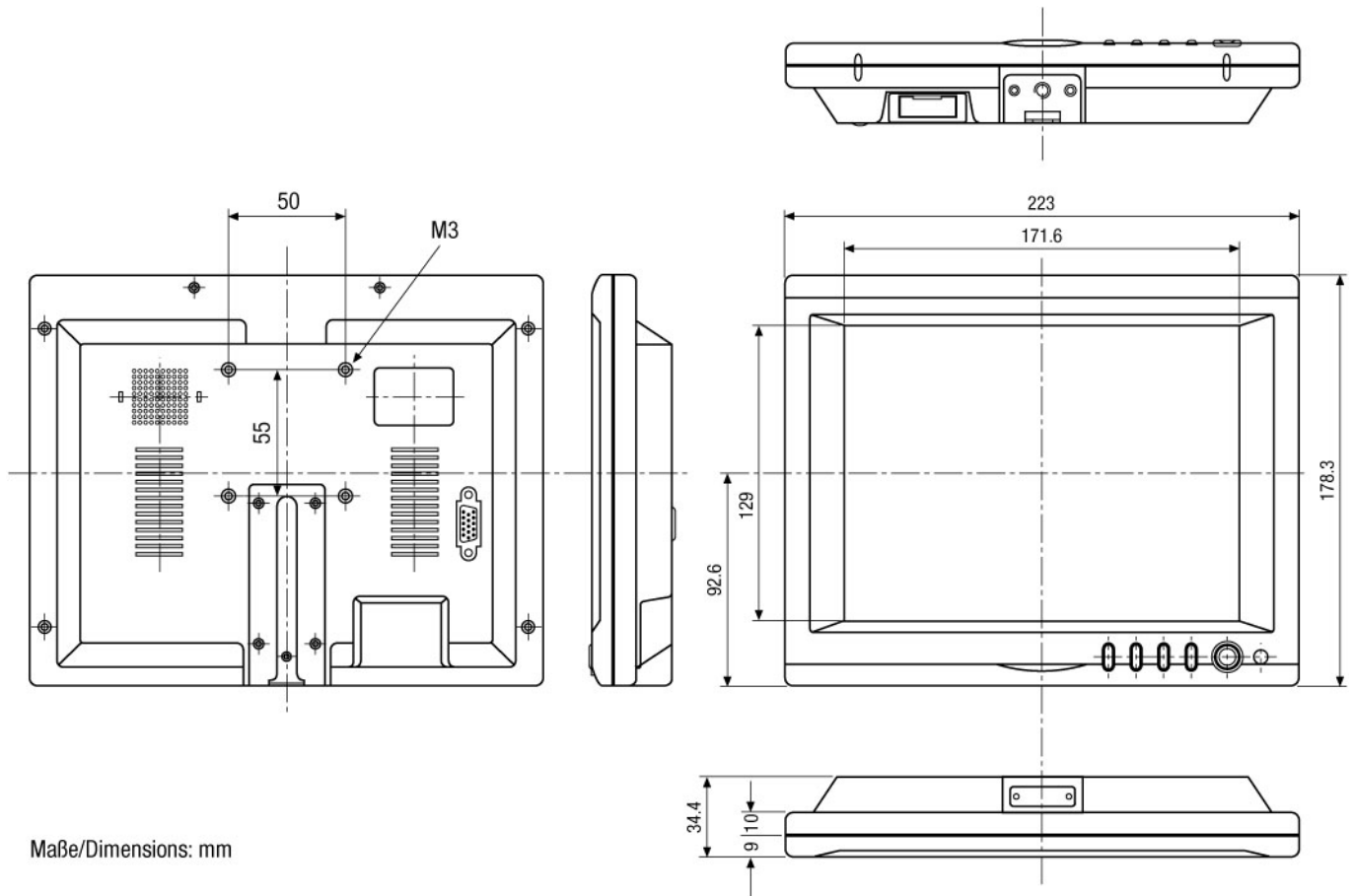
Optional accessories

90426	VMC-LCD/WMB-1	Wall Bracket for TFT/LCD Monitors, straight
90453	VMC-LCD/8-10MP	Adapter Plate for Wall Bracket Fixing to VMC-8/8.4/10.4LCD-CP Series
90394	VMC-LCD/WCMB-1	Wall/Ceiling Bracket for LCD Monitors 15"/17"/19" P/CP/CM/HPC/HMC1 Series

VMC-8LCD-CP01

Home | Security | Monitors | TFT/LCD

Technical drawing



Maße/Dimensions: mm