

# Video Security

Monitors | eneo TFT/LCD Monitors

## VMC-19LCD-HP

19" LCD Colour Monitor, 1280x1024 Pixels  
Comp., Y/C, RGB, 12VDC/230VAC

Art-No. 90508



## Features

Professional LCD/TFT Monitor  
PAL/NTSC Auto Selection  
Multiple Language On-screen Menu Driven Set-up  
Resolution of 1280x1024 Pixel (SXGA)  
CVBS, S-Video and VGA Inputs  
High Contrast and High Brightness Ratio

Quick Signal Switching / Fast Response Time  
Excellent Visibility with Wide Viewing Angles  
Supply Voltage 12VDC / 230VAC  
Robust and Compact Plastic Cabinet  
Table Stand included  
Option: Wall and Ceiling Mount Brackets

## Specifications

Video standard	PAL/NTSC (automatic selection)
Display element	Colour TFT/LCD
Screen size	19" (48cm)
Pixel format	1280 (H) x 1024 (V) 0.294x0.294mm
Pixel fault class	ISO 13406-2, Class II
Scanning method	Digital progressive scan (Frame/Motion mode)
Resolution	Y/C: >500TV lines VGA: 640x480 (60 to 75Hz) SVGA: 800x600 (60 to 75Hz) XGA: 1024x768 (60 to 75Hz) SXGA: 1280x1024 (60Hz)
Colour scales	16.7Mio (8 Bit)
Contrast ratio typical	1000:1
Brightness typical	300cd/m <sup>2</sup>
Viewing angle top	80°
Viewing angle right	80°
Viewing angle bottom	80°
Viewing angle left	80°
Light source	4CCFL
Response time typical	7ms, 5ms (tr/ta), 2ms (GTG)

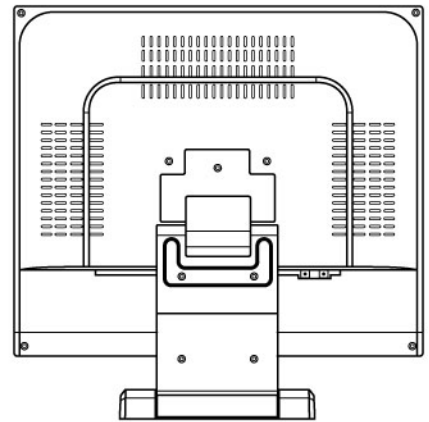
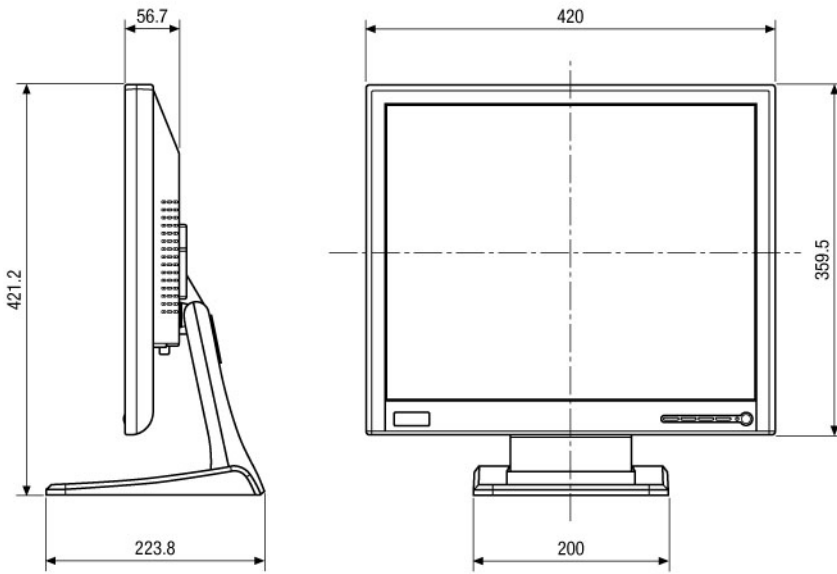
## VMC-19LCD-HP

(Specifications continued)

<b>PC interfaces</b>	SXGA, Analog RGB (0.714Vp-p, 75ohms), H & V sync. (TTL), 15-pin D-Sub
<b>Video inputs (type)</b>	CVBS, Y/C, RGB
<b>Video inputs</b>	CVBS: 1Vp-p, 75ohms, BNC Y/C: Y= 0.7Vp-p, C= 0.3Vp-p, 75ohms, 4-pin MiniDIN. Loop-through inputs, automatic 75ohms termination
<b>Audio inputs</b>	no
<b>Menu languages</b>	English, German, French, Spanish, Italian
<b>Supply voltage</b>	12VDC +/-5% (PSU 100V~240VAC included)
<b>External adjustments</b>	On-screen control, ON/OFF
<b>Temperature range (Operation)</b>	0 ~ +40°C
<b>Housing material</b>	plastic
<b>Colour (housing)</b>	Pantone 877C
<b>Colour</b>	Body: Pantone 877C, Stand: black
<b>Dimensions (HxWxD)</b>	See drawing
<b>Mount</b>	VESA standard (4 threads M4, 75x75mm)
<b>Weight</b>	5.6kg
<b>Parts supplied</b>	PSU 100~240V/12VDC with power cord, VGA cable, Multi-language manual
<b>Certificates</b>	n/a

## Accessories

<b>90394 / VMC-LCD/WCMB-1</b>	Wall/Ceiling Bracket for LCD Monitors 15"/17"/19" P/PT/D Series
<b>90449 / VMC-LCD/CMB-1</b>	Ceiling Mount Bracket, Pan and Tilttable for LCD Monitors 19" to 30"
<b>90426 / VMC-LCD/WMB-1</b>	Wall Bracket for TFT/LCD Monitors, straight
<b>90468 / VMC-LCD/WMB-4</b>	Wall Bracket for LCD Monitors up to 23", Pan and Tilttable
<b>90505 / UNO</b>	Wall Bracket for LCD Monitors up to 23", Pan and Tilttable



Maße/Dimensions: mm

VIDEOR TECHNICAL E. Hartig GmbH  
 Carl-Zeiss-Straße 8 · 63322 Rödermark · Germany  
 Telefon +49 (0) 60 74/8 88-0 · Telefax +49 (0) 60 74/8 88-100  
 info@videortechnical.com · www.videortechnical.com

