



VMC-17LCD-OPC2

Article-No.: 90571

17" (43cm) LCD/TFT Monitor, 1280x1024,
2x Composite, Y/C, RGB, Audio, 12VDC

Mainfeatures

Professional LCD/TFT monitor
Multi-lingual on-screen menu driven set up
Resolution of 1280x1024 px. (SXGA)
High contrast and high brightness ratio
Integrated loudspeakers

PAL/NTSC auto selection
3D comb filter / Deinterlacing
2xCVBS, S-Video, RGB and audio inputs
Quick signal switching / Fast response time
Supply voltage: 12VDC


Specifications

Video standard	PAL/NTSC (automatic selection)
Display element	Colour TFT/LCD
Screen size	17"
Screen Size (cm)	43 cm
Active area	338 (H) x 270 (V) mm
Pixel format	1280 (H) x 1024 (V), 0.264x0.264mm
Pixel fault class	ISO 13406-2, Class II
Screen formats	5:4
Scanning method	Digital progressive scan (Frame/Motion mode)
Resolution pixels	1280 x 1024
Resolution	CVBS and Y/C: 540TV lines; VGA: 640x480 (60 ~ 75Hz); SVGA: 800x600 (56 ~ 75Hz); XGA: 1024x768 (60 ~ 75Hz); SXGA: 1280x1024 (60 ~ 75Hz)
Comb Filter	The digital PAL 3D comb filter decoder offsets the preceding and succeeding images in order to achieve a better separation of the interwoven colour and black-and-white signals. Prevents colour streaks and uneven edges of colour
Colour scales	>16 Mio. (8 bit chroma signal)




Specifications (continued)

Contrast ratio typical	800:1
Brightness typical	250 cd/m ²
Viewing angle vertical	160°
Viewing angle horizontal	160°
Light source	4CCFL
Response time typical	5 ms
Response time typical	tr/ff
PC interfaces	VGA
Video inputs (type)	Y/C, VGA, composite (CVBS)
Video inputs	CVBS: 2x 1Vp-p, 75ohms termination, BNC; Y/C: Y=1.0Vp-p, C=0.3Vp-p, 75ohms, 4 pin Mini DIN (Loop-through inputs). RGB: R/G/B= 0.7Vp-p each, 75ohms
Audio inputs	2
Audio inputs	Stereo (RCA)
Loudspeaker	2x 2watts
Menu languages	German, English, French, Spanish, Italian, Portugese, Dutch, Russian, Swedish, Finnish, Danish, Turkish, Japanese, Korean
Supply voltage	12VDC +/-5% (PSU 100V~240VAC included)
Power consumption	35W
External adjustments	On/Off, Menu, Input source selection, RGB auto adjustment, Volume
Remote control	-
Temperature range (operation)	0°C ~ +50°C
Housing material	ABS plastic
Mount	VESA standard (4 threads M4, 100x100mm)
Colour (housing)	black
Dimensions (HxWxD)	323x378x213mm
Total height with stand	373mm
Weight	5kg
Parts supplied	PSU 100~240V/12VDC with power cord, VGA cable, Multi-language manual
Certificates	CE, FCC

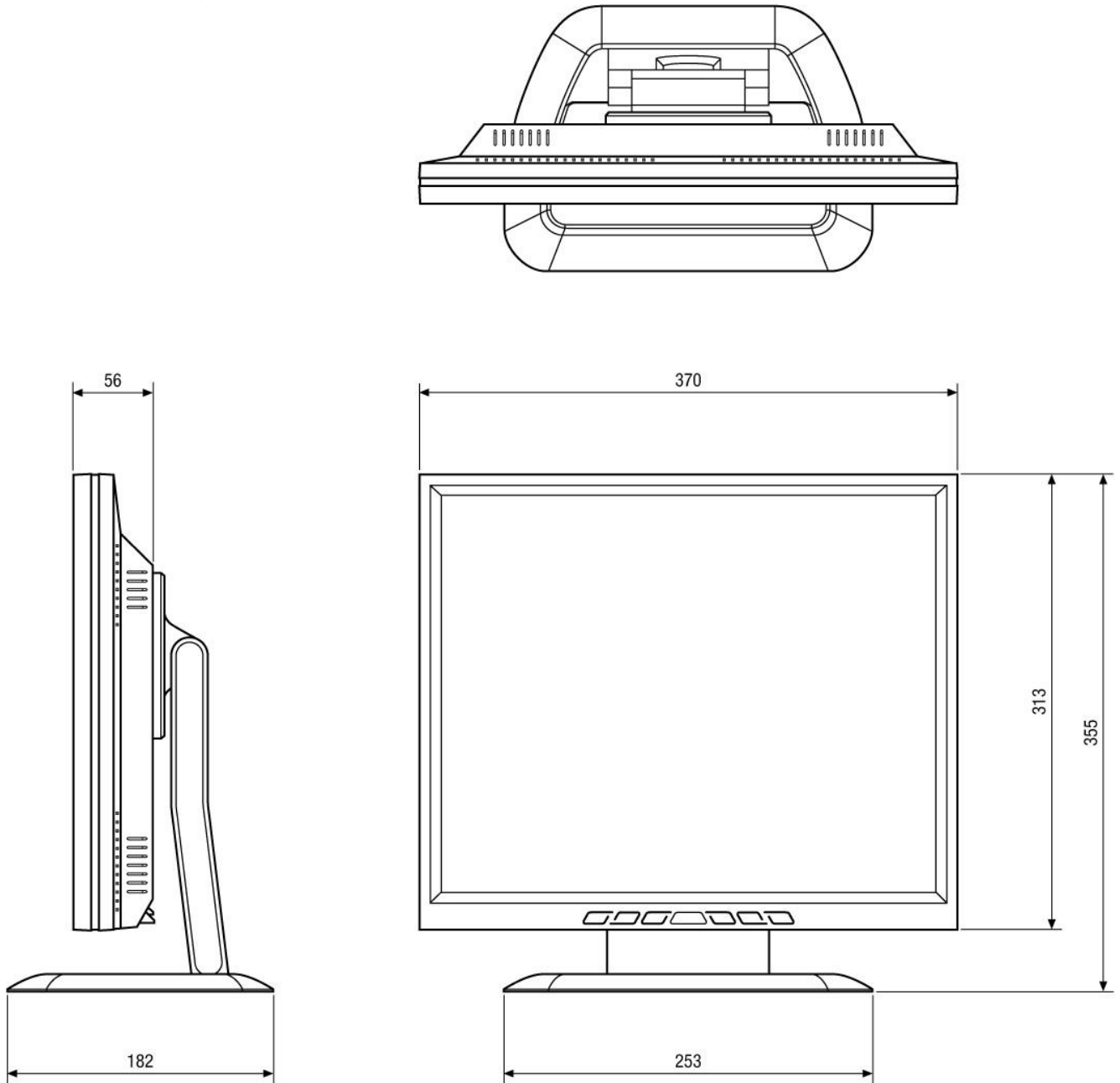
Optional Accessories

Image	Artikel-Nr. / Typ	Description
	VMC-LCD/WCMB-1	Wall/Ceiling Bracket for LCD Monitors 15"/17"/19" P/CP/CM/HPC/HMC1 Series

Optional Accessories (continued)

Image	Artikel-Nr. / Typ	Description
	VMC-LCD/WMB-4	Wall Bracket for LCD Monitors up to 23", Pan and Tilttable
	UNO	Wall Bracket for LCD Monitors up to 23", Pan and Tilttable
	VMC-LCD/CMB-1	Ceiling Mount Bracket, Pan and Tilttable for LCD Monitors 19" to 30"

Technical Drawing



Maße/Dimensions: mm



Your partner for eneo products:

