

Video Security

Monitors | eneo TFT/LCD Monitors

VMC-17LCD-HP

17" LCD Colour Monitor, 1280x1024 Pixels
Comp., Y/C, RGB, 12VDC/230VAC

Art-No. 90507



Features

Professional LCD/TFT Monitor
PAL/NTSC Auto Selection
Multiple Language On-screen Menu Driven Set-up
Resolution of 1280x1024 Pixel (SXGA)
CVBS, S-Video and VGA Inputs
High Contrast and High Brightness Ratio

Quick Signal Switching / Fast Response Time
Excellent Visibility with Wide Viewing Angles
Supply Voltage 12VDC / 230VAC
Robust and Compact Plastic Cabinet
Table Stand included
Option: Wall and Ceiling Mount Brackets

Specifications

Video standard	PAL/NTSC (automatic selection)
Display element	Colour TFT/LCD
Screen size	17" (44cm), 17" (44cm)
Pixel format	1280 (H) x 1024 (V), RGB vertical stripes 0.264x0.264mm
Pixel fault class	ISO 13406-2, Class II
Scanning method	Digital progressive scan (Frame/Motion mode)
Resolution	Y/C: >500TV lines VGA: 640x480 (60 to 75Hz) SVGA: 800x600 (60 to 75Hz) XGA: 1024x768 (60 to 75Hz) SXGA: 1280x1024 (60Hz)
Colour scales	16.7Mio (8 Bit)
Contrast ratio typical	1000:1
Brightness typical	300cd/m ²
Viewing angle top	80°
Viewing angle right	80°
Viewing angle bottom	80°
Viewing angle left	80°
Light source	4CCFL
Response time typical	7ms, 5ms (tr/ta), 2ms (GTG)

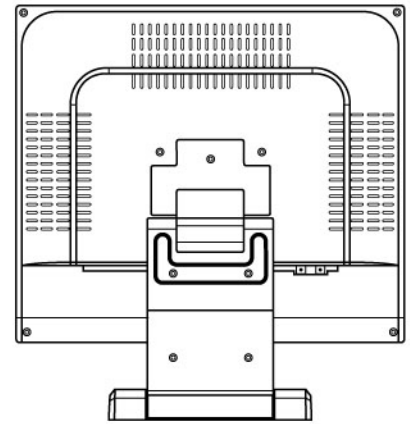
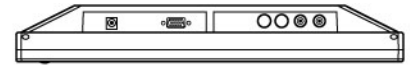
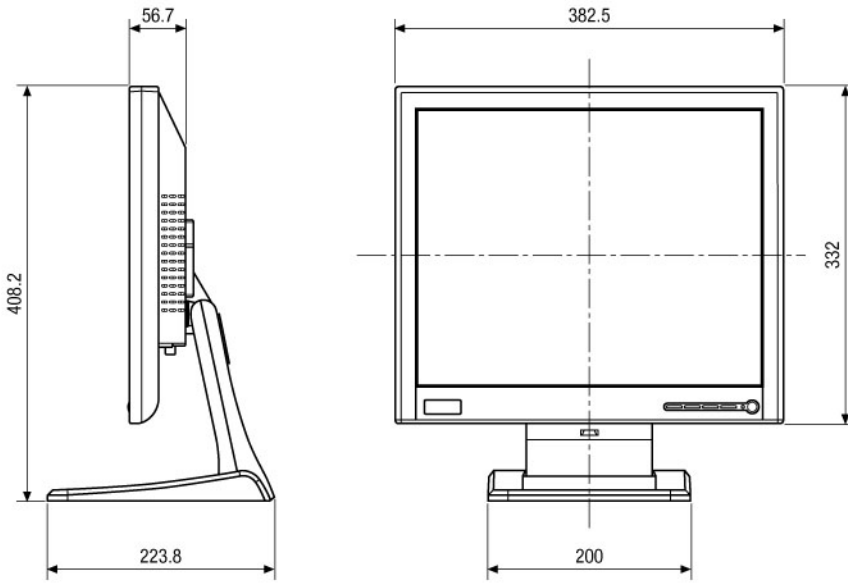
VMC-17LCD-HP

(Specifications continued)

PC interfaces	SXGA, Analog RGB (0.714Vp-p, 75ohms), H & V sync. (TTL), 15-pin D-Sub
Video inputs (type)	CVBS, Y/C, VGA
Video inputs	CVBS: 1Vp-p, 75ohms, BNC Y/C: Y= 0.7Vp-p, C= 0.3Vp-p, 75ohms, 4-pin MiniDIN. Loop-through inputs, automatic 75ohms termination
Audio inputs	no
Menu languages	English, German, French, Spanish, Italian
Supply voltage	12VDC +/-5% (PSU 100V~240VAC included)
External adjustments	On-screen control, ON/OFF
Temperature range (Operation)	0 ~ +40°C
Housing material	plastic
Colour (housing)	Pantone 877C
Colour	Body: Pantone 877C, Stand: black
Dimensions (HxWxD)	See drawing
Mount	VESA standard (4 threads M4, 75x75mm)
Weight	5.2kg
Parts supplied	PSU 100~240V/12VDC with power cord, VGA cable, Multi-language manual
Certificates	n/a

Accessories

90394 / VMC-LCD/WCMB-1	Wall/Ceiling Bracket for LCD Monitors 15"/17"/19" P/PT/D Series
90426 / VMC-LCD/WMB-1	Wall Bracket for TFT/LCD Monitors, straight
90468 / VMC-LCD/WMB-4	Wall Bracket for LCD Monitors up to 23", Pan and Tilttable
90505 / UNO	Wall Bracket for LCD Monitors up to 23", Pan and Tilttable
90449 / VMC-LCD/CMB-1	Ceiling Mount Bracket, Pan and Tilttable for LCD Monitors 19" to 30"



Maße/Dimensions: mm

VIDEOR TECHNICAL E. Hartig GmbH
 Carl-Zeiss-Straße 8 · 63322 Rödermark · Germany
 Telefon +49 (0) 60 74/8 88-0 · Telefax +49 (0) 60 74/8 88-100
 info@videortechnical.com · www.videortechnical.com

