

Video Security

Monitors | eneo TFT/LCD Monitors

VMC-17LCD-CM

17" (43cm) LCD/TFT Colour Monitor with Stand and PSU, Silvergrey Housing

Art-No. 90493



Features

17" (43.2cm) Display Screen Size
Multi Language On-screen Menu Control
Resolution: 1280x1024 Pixels
CVBS, S-Video, VGA and DVI Input
PAL/NTSC Auto Selection

IR-Remote Controller
Supply Voltage: 12VDC/230VAC
Various of Applications
Robust Metal Cabinet
Desktop Unit with Monitor Stand

Specifications

Video standard	PAL, NTSC (Auto detection)
Scanning frequency range (H)	30 ~ 80kHz
Scanning frequency range (V)	56 ~ 75Hz
Display element	Colour TFT/LCD
Screen size	17" (43,2 cm)
Pixel format	1280 (H) x 1024 (V), RGB vertical stripes 0.264x0.264mm
Pixel fault class	ISO 13406-2, Class II
Colour scales	16.2 mio
Contrast ratio typical	500:1
Brightness typical	300cd/m2
Viewing angle top	60°
Viewing angle right	75°
Viewing angle bottom	75°
Viewing angle left	75°
Response time typical	8ms, 8ms (tr: 2 / tf: 6)
PC interfaces	XGA, VESA standard: VGA to XGA, 15-pin
Input signals	CVBS, S-VHS, RGB (switchable)
Video inputs (type)	CVBS, Y/C, RGB

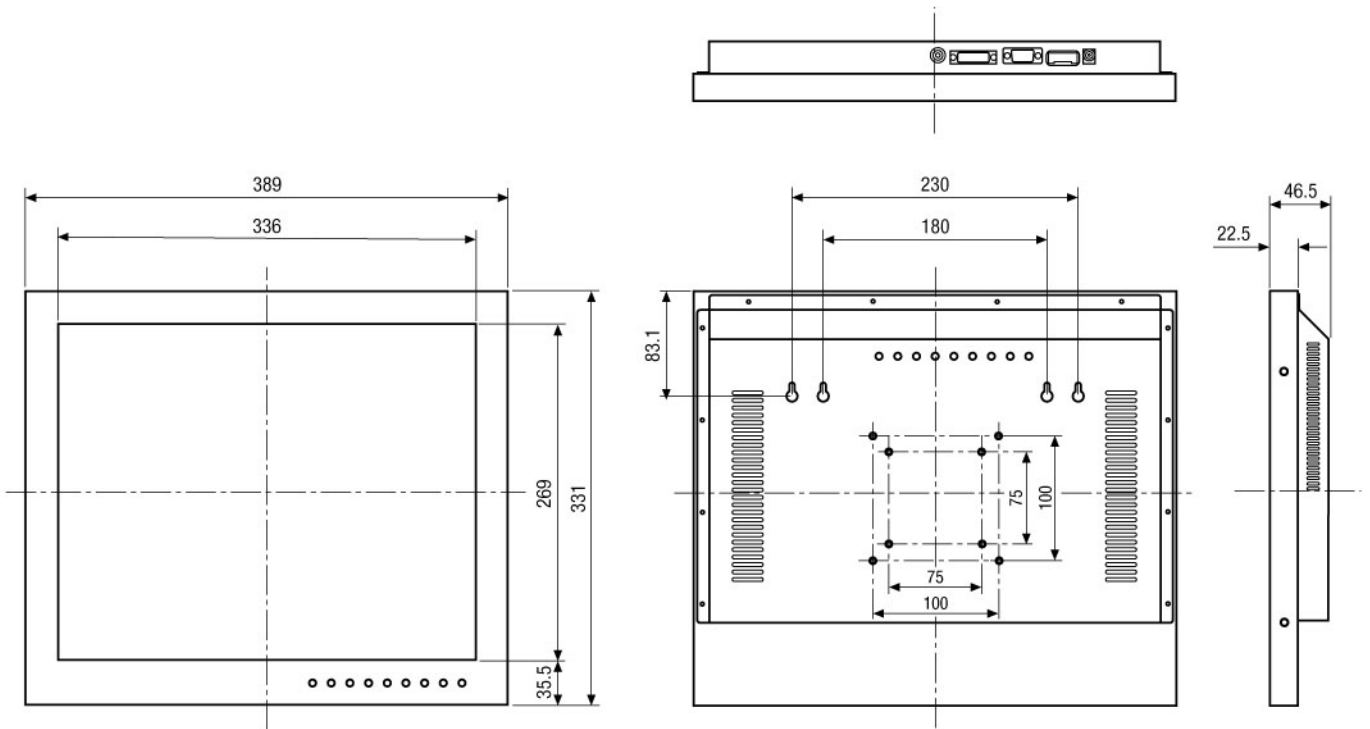
VMC-17LCD-CM

(Specifications continued)

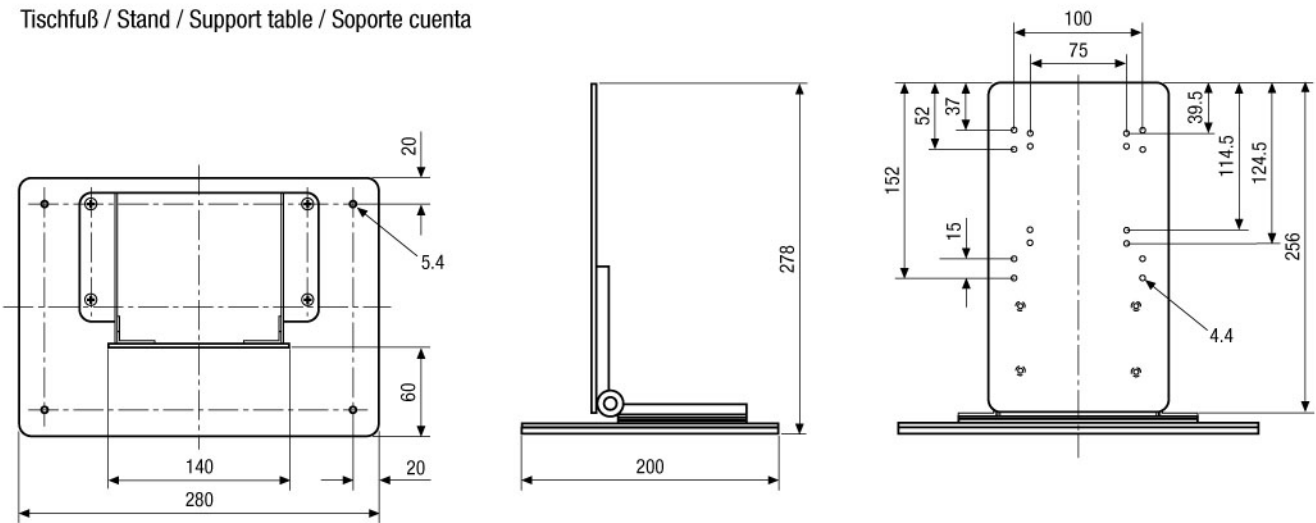
Video inputs	1Vp-p (C)VBS, 75ohms, Cinch Y/C: Y= 0.7Vss, C= 0.3Vss, 75ohms, 4-pin Mini DIN, DVI (TDMS)
Audio inputs	no
Audio input	-
Loudspeaker	-
Menu languages	English, German, French, Spanish, Italian, Korean, Japanese
Supply voltage	12VDC +/-5% (Power supply unit included)
Power consumption	36watts max.
External adjustments	On/Off, Menu, Mode, Adjust, Select
Temperature range	0°C ~ +50°C
Housing material	metal
Colour (housing)	silver
Dimensions (HxWxD)	See drawing
Mount	Angled stand and 4x threads M4 (VESA Standard 75x75mm, 100x100mm for wall mount (s. drawing))
Weight	5.5kg
Parts supplied	PSU 100~240V/12VDC with power cord, Multiple connection cable (S-Video IN, Power IN, CVBS IN), VGA cable, Video adapter cable, Cinch/BNC adapter, IR remote control unit, Multiple language manual
Certificates	n/a

Accessories

90394 / VMC-LCD/WCMB-1	Wall/Ceiling Bracket for LCD Monitors 15"/17"/19" P/PT/D Series
90468 / VMC-LCD/WMB-4	Wall Bracket for LCD Monitors up to 23", Pan and Tilttable
90426 / VMC-LCD/WMB-1	Wall Bracket for TFT/LCD Monitors, straight
90505 / UNO	Wall Bracket for LCD Monitors up to 23", Pan and Tilttable



Tischfuß / Stand / Support table / Soporte cuenta



Maße/Dimensions: mm

VIDEOR TECHNICAL E. Hartig GmbH
 Carl-Zeiss-Straße 8 · 63322 Rödermark · Germany
 Telefon +49 (0) 60 74/8 88-0 · Telefax +49 (0) 60 74/8 88-100
 info@videortechnical.com · www.videortechnical.com

