

Video Security

Dome Cameras | Minidomes

VKD-136

1/3" B&W Dome Camera, Drop Ceiling Mount with 3.6mm lens, 12VDC, 420TVL

Art-No. 91799



Wall mount is not included with the dome camera

Features

For Drop Ceiling Mount

Clear bubble with Inner Liner

Resolution of 370 Horizontal Lines

High Sensitivity

Built-in Lens F2.0/3.6 mm

Electronic Shutter Control (ESC)

Easy Installation

Supply Voltage: 12 VDC

Option: Wall Mount Bracket

Specifications

Imager	1/3" Sony Super HAD Interline Transfer CCD
System	CCIR
Synchronization	Internal
Sensitivity at 50% video signal	1.6Lux at F2.0 (VT measurement result); 0.58Lux at F1.2
Horizontal resolution	370 TV lines
Electronic shutter control (ESC)	1/50 ~ 1/100,000sec. (automatic)
Lens	F2.0/3.6mm
Horizontal angle of view	69°
Horizontal turning range	110° (+/-55°)
Vertical tilt range	65° (25° ~ 90°, ceiling as reference)
External connections	Video (BNC), 12VDC (DC plug)
Video output	1Vp-p, VBS, 75ohms
Supply voltage	12VDC (+/-20%)
Power consumption	Approx. 1.2watts
Temperature range	-10°C ~ +50°C
Housing	Plastic with clear bubble and black inner liner
Mounting	Drop ceiling mount
Housing color	Light grey
Dimensions (DxH)	See drawing

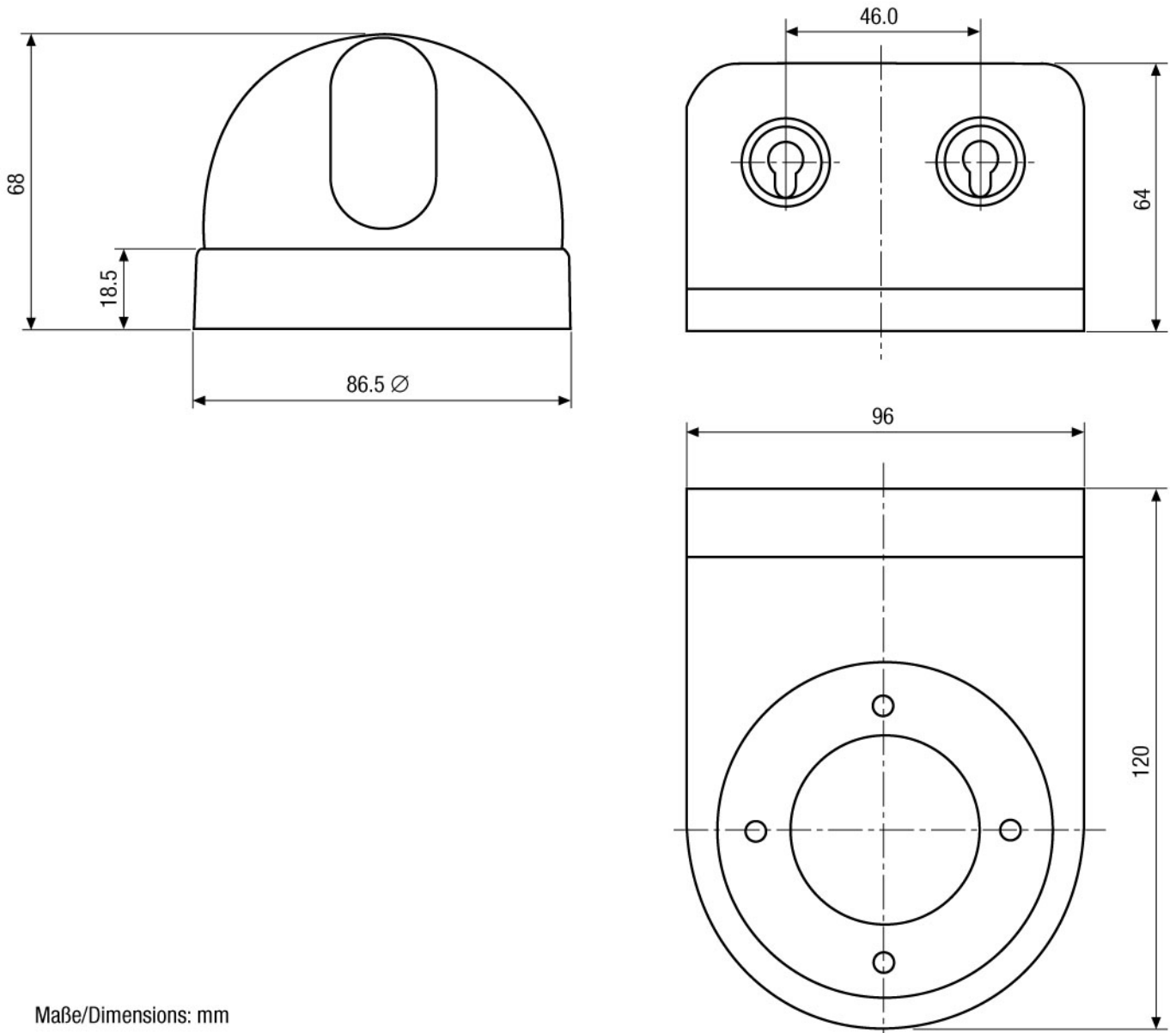
VKD-136

(Specifications continued)

Weight	Approx. 120g
Options	Lenses 2.45, 8mm focal length ; Wall mount bracket

Accessories

40061 / H0820M	F2.0/8mm Board Camera Lens, 1/3" M12X0.5
91805 / VKCD/WMB-1	Wall Mount for VKD-136, VKCD-143, VKCD-144/HR
77779 / VT-PS12DC-UK	Power Supply Unit w. UK Mains plug-in, 100-240VAC/12VDC-1.0A, Regul., open Ends
40059 / H0225M	F2.5/2.5mm Board Camera Lens, 1/3" M12X0.5
40065 / H1225	F2.5/12mm Board camera lens, 1/3" M12x0.5
70447 / VT-PS12DC-5	Plug-in Power Supply Unit 100-240VAC 12VDC (1.0Amp), Regulated, with DC Plug



Maße/Dimensions: mm

VIDEOR TECHNICAL E. Hartig GmbH
Carl-Zeiss-Straße 8 · 63322 Rödermark · Germany
Telefon +49 (0) 60 74/8 88-0 · Telefax +49 (0) 60 74/8 88-100
info@videortechnical.com · www.videortechnical.com