

VKCD-1328WFM/MF

Home | Security | Dome Cameras | Fixed

VKCD-1328WFM/MF
1/3" Mini Dome, Fixed, Day&Night, clear, 3.7mm,

540TVL, 12VDC, White

Art-Nr. 92539



Main Features

For Wall and In-ceiling Mount

Vandal Resistant

Removable IR Cut Filter

Integrated Lens F2.0/3.7mm

Resolution of 540 Horizontal Lines

High Speed Shutter Control (ESC)

Backlight Compensation (BLC)

Automatic White Balance (ATW)

Manual 3-axis Camera Adjustment

White Aluminium Die-cast Casing

Clear Lexan Bubble, 57mm

For Easy Indoor and Outdoor Installation (IP66)

Specifications

Video standard	PAL
System	day&night
Sensor size	1/3"
Imager	CCD
Imager	Sony Super HAD II Interline Transfer
Active picture elements	440,000, 752(H) x 582(V)
Synchronization	Internal
Signal-to-noise ratio	50dB (AGC OFF)
Horizontal resolution	540 TVL
Sensitivity (at 50% video signal)	0.16Lux (colour), 0.1Lux at b&w (Videor measurement result at F1.2)
Automatic electronic shutter (ESC)	1/50 ~ 1/100,000sec.
Low Speed Shutter	no
Automatic gain control (AGC)	Included

VKCD-1328WFM/MF

(Continuation Specifications)

Digital Noise Reduction (DNR)	no
White balance	Automatic (3000 - 8000K)
Backlight compensation	BLC
Wide Dynamic Range (WDR)	no
Rotation range	360°
Backlight compensation	Center weighted
Aperture Correction (APC)	Horizontal and vertical
IR cut filter	switchable
Video outputs	CVBS
Lens type	fixed focal length
Lens	F2.0 / 3.7mm with fixed iris
Focal length	3,7 mm
Horizontal angle of view	67°
Iris control	no
Filter screw size	not available
MOD (Minimum object distance)	0,1 m
Illumination	no, not implemented
Serial interfaces	no
Cable connection	Video (BNC), 12VDC (DC jack)
Protection rating	IP66
Supply voltage	12VDC
Supply voltage	12VDC (9 ~15VDC), 12VDC ±0.5V recommended
Power consumption	3.0watts
Temperature range (Operation)	-10° ~+50°C
Housing material	Aluminium
Housing	Outdoor
Hidden cable management	yes
Colour (housing)	white
Dimensions (HxWxD)	See drawing
Weight	200g
Parts supplied	Camera, Manual
Certificates	CE
Heater	no
Vandalism resistant	yes
Bubble	57mm (2.25"), clear polycarbonate plastic
Colour (bubble)	clear
Camera adjustment	3-axis camera adjustment: 360° horizontal rotation / +-45° tilt rotation, 360° pan rotation
Mounting	flush mount, wall mount

VKCD-1328WFM/MF

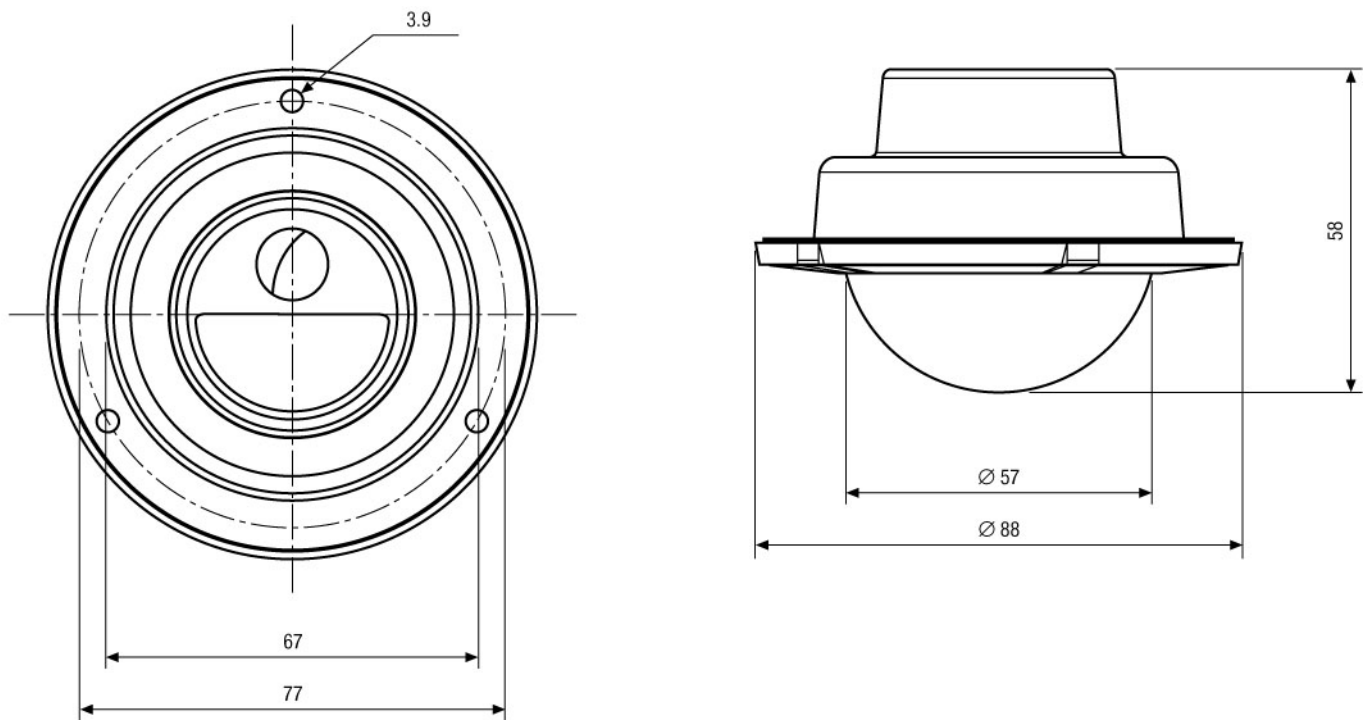
Optional accessories

70535	VT-PS12DC-8	Plug-in Power Supply Unit 100-240VAC 12VDC (1.0Amp), Regulated, with DC Plug
70495	VT-PS12DC-7	Plugable PSU w. Cont. & UK Mains plug-in 100-240VAC/12VDC-1.25A, Regulated
77773	VT-PS12DCDT1	PSU 12VDC/1.0A, Regulated, Desktop Version, 1.8m Cables each w. open ends

VKCD-1328WFM/MF

Home | Security | Dome Cameras | Fixed

Technical drawing



Maße/Dimensions: mm