



## VKCD-1327WSM/MF

Article-No.: 92291

1/3" Color/B&W Minidome Camera, Surface  
Mt,F2.0/3.7mm Lens, 12VDC, 540TVL, White

### Mainfeatures

For Wall and Surface Mount  
1/3" Colour/B&W Board Camera with Super HAD CCD  
Resolution of 540 Horizontal Lines  
Digital Signal Processing (DSP)  
Automatic White Balance (ATW)

Vandal Resistant  
Integrated Lens F2.0/3.7mm  
High Speed Shutter Control (ESC)  
Backlight Compensation (BLC)  
White Aluminium Die-cast Casing




### Specifications

Video standard	PAL
System	Colour, black/white
Sensor size	1/3"
Imager	CCD
Imager	Sony Super HAD Interline Transfer
Active picture elements	440,000, 752(H) x 582(V)
Synchronization	Internal
Signal-to-noise ratio	46db (AGC OFF)
Sensitivity (at 50% video signal)	0,06 Lux
Sensitivity (at 50% video signal)	at F1.2; 0.2Lux at F2.0
Horizontal resolution	540 TVL
Rotation range	360°
Automatic gain control (AGC)	On/Off switchable
Gamma correction	approx. 0.45
High-speed shutter (ESC)	1/50 ~ 1/100,000sec.
Integration rate	no
Digital Noise Reduction (DNR)	no

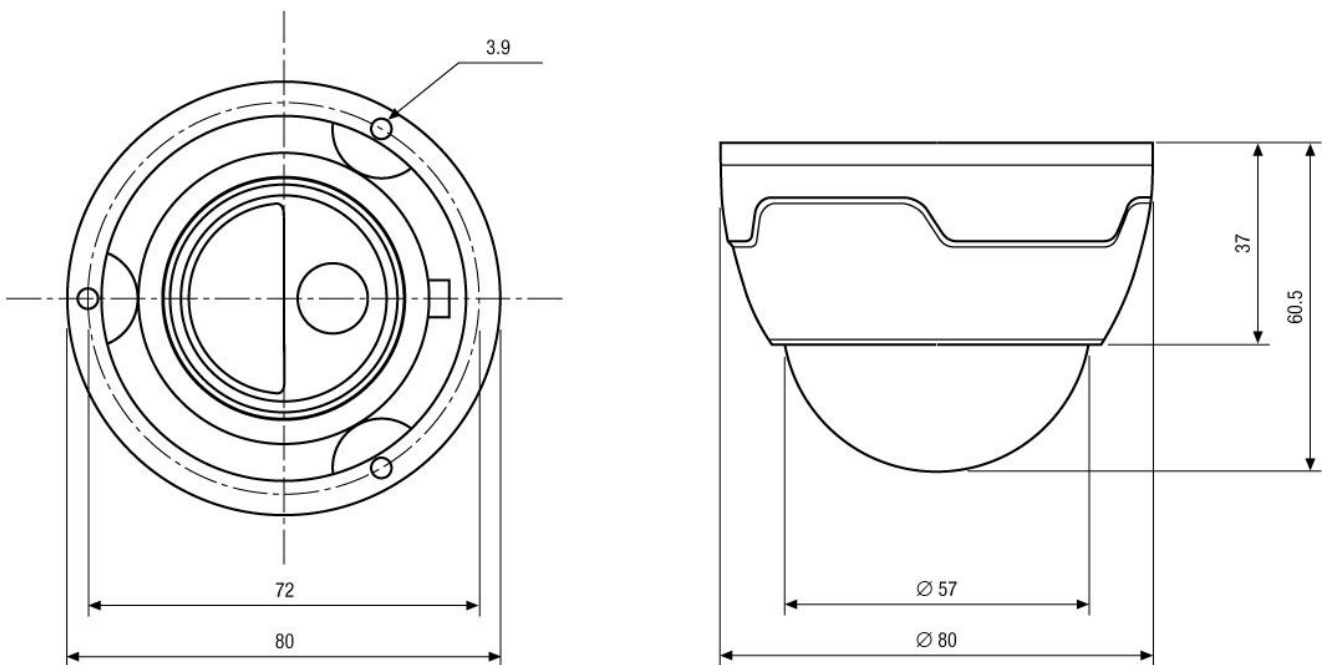
## Specifications (continued)

White balance (ATW)	2000 ~ 8000K, Automatic
Backlight compensation	BLC
Aperture Correction (APC)	Horizontal and vertical
Switchable IR cut filter	no
Video outputs (type)	CVBS
Video outputs	1Vp-p, (C)VBS, 75ohms, BNC
Lens mount	integrated lens
Lens type	fixed focal length
Lens	F2.0/3.7mm with fixed iris
Aspherical technology	no
Focal length	3,7 mm
Horizontal angle of view	67°
Iris control	no
MOD (Minimum object distance)	0,1 m
Filter screw size	not available
Cable connection	Video (BNC), 12VDC (DC jack)
Serial interfaces	no
Temperature range (Operation)	-10° ~ +50°C
Heater	no
Protection rating	IP66
Protection rating	at installation according to the manual
Supply voltage	12VDC
Supply voltage	12VDC (9 ~ 15VDC), 12VDC ±0.5V recommended
Power consumption	4.0watts max.
Vandalism resistant	yes
Bubble	57mm (2.25"), clear polycarbonate plastic
Colour (bubble)	clear
Camera adjustment	3-axis camera adjustment: 360° horizontal rotation / +-45° tilt rotation, 360° pan rotation
Mounting	surface mount, wall mount
Housing	Outdoor
Housing material	Aluminium
Colour (housing)	white
Dimensions (HxWxD)	See drawing
Weight	210g
Parts supplied	Camera, Manual
Certificates	CE

## Optional Accessories

Image	Artikel-Nr. / Typ	Description
	VT-PS12DC-8	Plug-in Power Supply Unit 100-240VAC 12VDC (1.0Amp), Regulated, with DC Plug
	VT-PS12DC-7	Plugable PSU w. Cont. & UK Mains plug-in 100-240VAC/12VDC-1.25A, Regulated
	VT-PS12DCDT1	PSU 12VDC/1.0A, Regulated, Desktop Version, 1.8m Cables each w. open ends

## Technical Drawing



Maße/Dimensions: mm



Your partner for eneo products:

