



VKCD-1327WFM/MF

Article-No.: 92289

1/3" Color/B&W Minidome Camera, Flush Mt
F2.0/ 3.7mm Lens, 12VDC, 540TVL, White

Mainfeatures

For Wall and In-ceiling Mount
1/3" Colour/B&W Board Camera with Super HAD CCD
Resolution of 540 Horizontal Lines
Digital Signal Processing (DSP)
Automatic White Balance (ATW)

Vandal Resistant
Integrated Lens F2.0/3.7mm
High Speed Shutter Control (ESC)
Backlight Compensation (BLC)
White Aluminium Die-cast Casing




Specifications

Video standard	PAL
System	Colour, black/white
Sensor size	1/3"
Imager	CCD
Imager	Sony Super HAD Interline Transfer
Active picture elements	440,000, 752(H) x 582(V)
Synchronization	Internal
Signal-to-noise ratio	48dB (AGC OFF)
Sensitivity (at 50% video signal)	0,06 Lux
Sensitivity (at 50% video signal)	at F1.2; 0.2Lux at F2.0
Horizontal resolution	540 TVL
Rotation range	360°
Automatic gain control (AGC)	On/Off switchable
Gamma correction	approx. 0.45
High-speed shutter (ESC)	1/50 ~ 1/100,000sec.
Integration rate	no
Digital Noise Reduction (DNR)	no

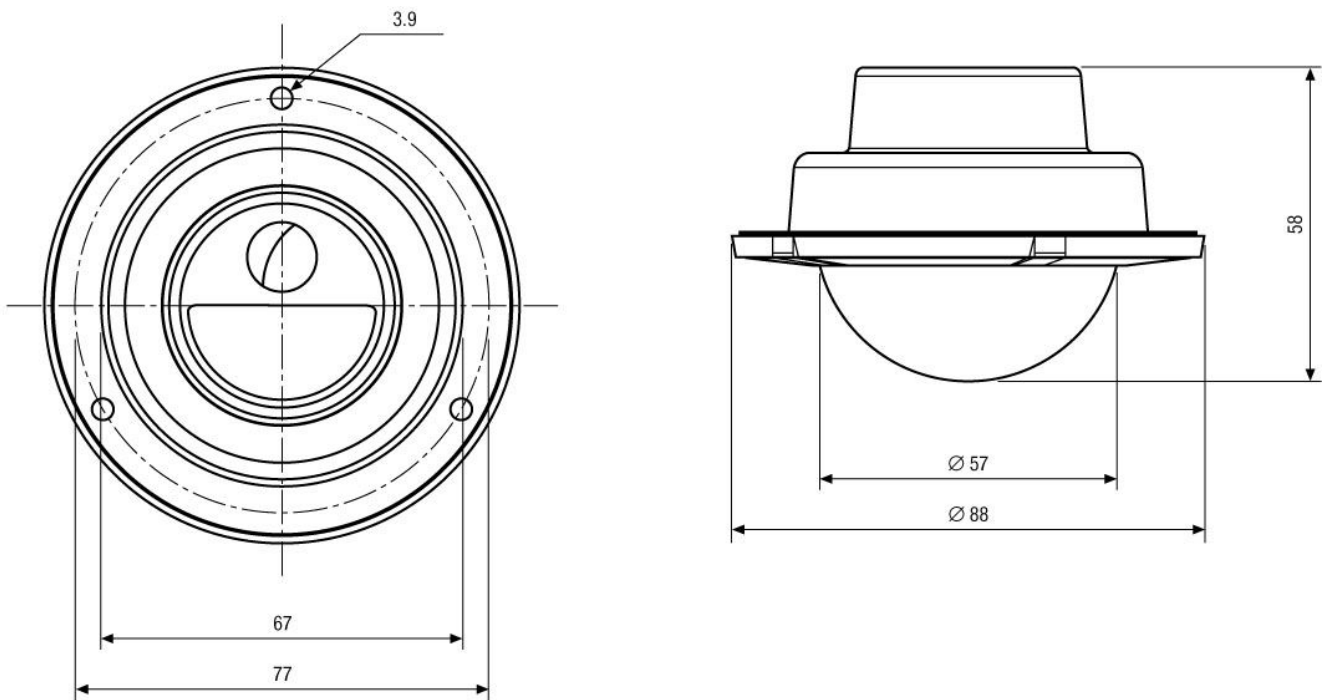
Specifications (continued)

White balance (ATW)	2000 ~ 8000K, Automatic
Backlight compensation	BLC
Aperture Correction (APC)	Horizontal and vertical
Switchable IR cut filter	no
Video outputs (type)	CVBS
Video outputs	1Vp-p, (C)VBS, 75ohms, BNC
Lens mount	integrated lens
Lens type	fixed focal length
Lens	F2.0/3.7mm with fixed iris
Aspherical technology	no
Focal length	3,7 mm
Horizontal angle of view	67°
Iris control	no
MOD (Minimum object distance)	0,1 m
Filter screw size	not available
Cable connection	Video (BNC), 12VDC (DC jack)
Serial interfaces	no
Temperature range (Operation)	-10° ~ +50°C
Heater	no
Protection rating	IP66
Protection rating	at installation according to the manual
Supply voltage	12VDC
Supply voltage	12VDC (9 ~ 15VDC), 12VDC ±0.5V recommended
Power consumption	4.0watts max.
Vandalism resistant	yes
Bubble	57mm (2.25"), clear polycarbonate plastic
Colour (bubble)	clear
Camera adjustment	3-axis camera adjustment: 360° horizontal rotation / +-45° tilt rotation, 360° pan rotation
Mounting	flush mount, wall mount
Housing	Outdoor
Housing material	Aluminium
Colour (housing)	white
Dimensions (HxWxD)	See drawing
Weight	190g
Parts supplied	Camera, Manual
Certificates	CE

Optional Accessories

Image	Artikel-Nr. / Typ	Description
	VT-PS12DC-8	Plug-in Power Supply Unit 100-240VAC 12VDC (1.0Amp), Regulated, with DC Plug
	VT-PS12DC-7	Plugable PSU w. Cont. & UK Mains plug-in 100-240VAC/12VDC-1.25A, Regulated
	VT-PS12DCDT1	PSU 12VDC/1.0A, Regulated, Desktop Version, 1.8m Cables each w. open ends

Technical Drawing



Maße/Dimensions: mm



Your partner for eneo products:

