



VKCD-1325-B/IR

Article-No.: 92597

1/3" Dome, Fixed, Day&Night,
clear, 3.8-9.5mm, 600TVL, IR
Illumination, 12V

Main features

For wall and ceiling flush and surface mount
Integrated F1.2/3.8-9.5mm varifocal DC iris lens
Removable IR cut filter
Automatic gain control (AGC)
15m night observation distance (24 pcs. IR LED\$S)
Supply voltage: 12VDC

Vandal and tamper-resistant
Externally adjustable focus & zoom
Sensitivity of 0.1Lux at F1.2 (colour)
Intelligent infra-red illumination
Manual 3-axis camera gimbal
Ball eye size: 96mm



Specifications

System	day&night
Video standard	PAL
Sensor size	1/3"
Imager	CCD
Imager	Sony Super HAD Interline Transfer
Active picture elements	440,000 (H) 752 x (V) 582
Horizontal resolution	600 TVL
Synchronization	internal
Signal-to-noise ratio	50dB (AGC OFF)
Gamma correction	0.45
Sensitivity (at 50% video signal)	0,1 Lux
Sensitivity (at 50% video signal)	(colour), 0.05Lux (B&W) at F1.2 (measured)
Automatic gain control (AGC)	supplied
Low speed shutter	no
Digital Noise Reduction (DNR)	no
Backlight compensation	no

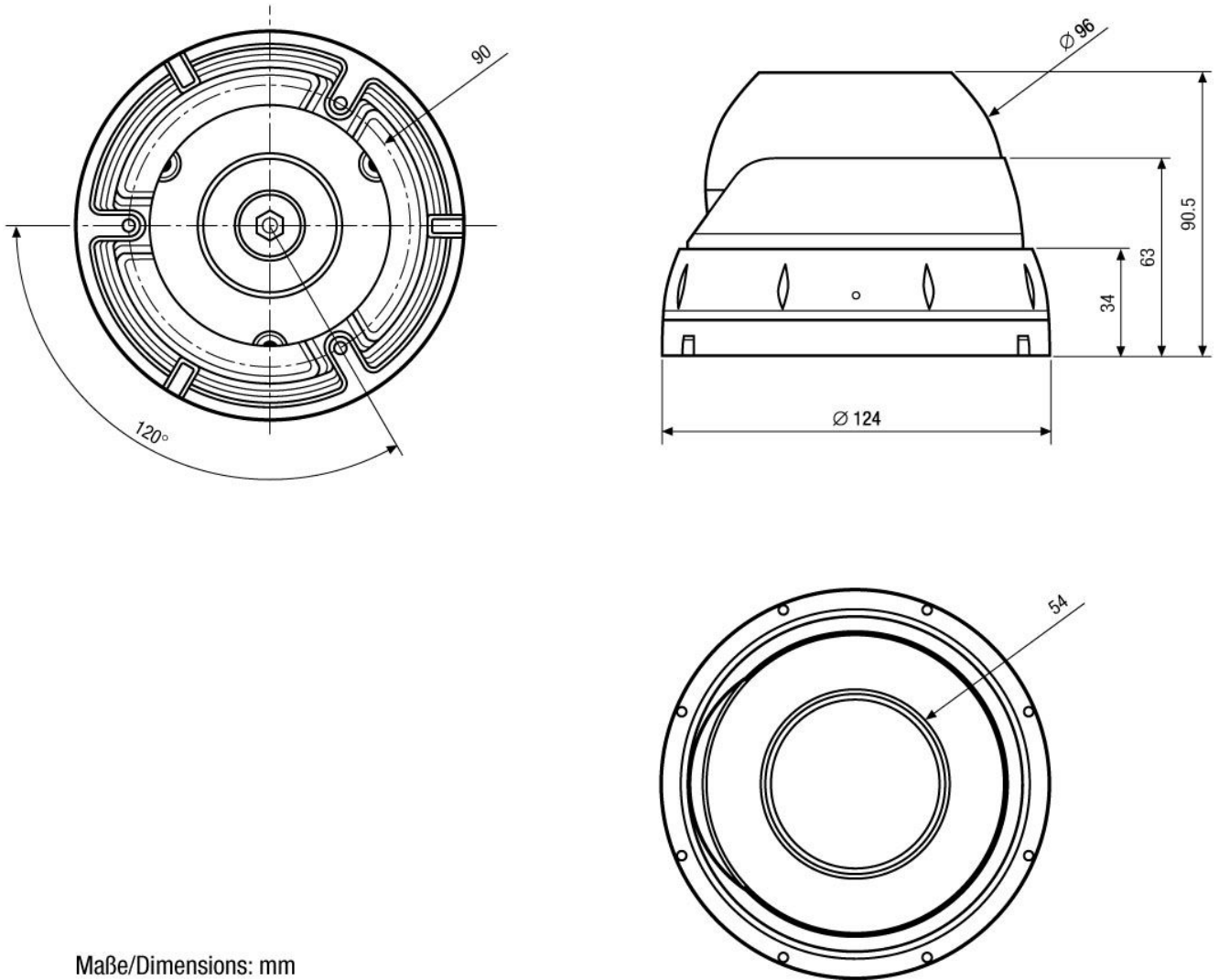
Specifications (continued)

Wide Dynamic Range (WDR)	no
White balance	automatic
Aperture Correction (APC)	horizontal, vertical
IR cut filter	switchable
IR cut filter	motorized, switchable filter. Automatic function depend on the amount of light. In removed filter position, the colour signal will be switched OFF
Activity detection	no
Digital zoom	no
Analysis Functions	no
Lens type	varifocal
Focal length	3,8 mm - 9,5 mm
Horizontal angle of view	74,2° - 30°
MOD (Minimum object distance)	0,15 m
Aperture range (F)	F1.2 ~ F260
External adjustments	zoom and focus
Video outputs	composite (CVBS)
Video outputs	1Vp-p, CVBS, 75ohms
Alarm inputs	-
Alarm outputs	-
PTZ support	no
Rotation range	360°
Illumination	infrared
Illumination	25x IR LED (850nm, 30°). Due to an integrated light sensor the LED illumination will be switched ON/OFF, depending on environmental illumination conditions.
External connections	video (BNC), voltage input
Serial interfaces	no
Housing	outdoor
Housing material	aluminium
Colour (bubble)	-
Colour (housing)	anthracite
Heater	no
Mounting	wall mount, ceiling mount
Supply voltage	12VDC
Supply voltage	(+/-10%)
Power consumption	5W
Temperature range (operation)	-10°C ~ +50°C
Protection rating	IP66
Vandalism resistant	yes
Dimensions (HxWxD)	see drawing
Weight	870g
Parts supplied	dome camera, bag of screws, allen key, DC cable with open ends, drilling template, manual, special key for lens adjustment
Certificates	CE

Optional Accessories

Image	Artikel-Nr. / Typ	Description
	VDOME/WB3	Wall Mount Kit for VKCD-1325/IR
	VT-PS12DC-8	Plug-in Power Supply Unit 100-240VAC 12VDC (1.0Amp), Regulated, with DC Plug

Technical Drawing



Maße/Dimensions: mm

Your partner for eneo products:

