

VKCD-1322-2811

Home | Security | Dome Cameras | Fixed

VKCD-1322-2811
1/3" Dome, Fixed, Day&Night, clear, 2.8-11mm,
530TVL, Vandal Resistant, 12V

Art-Nr. 92219



Main Features

1/3" Super HAD Colour/B&W CCD Sensor	Automatic Gain Control (AGC)
Integrated F1.4/2.8-11mm Varifocal DC Iris Lens	Automatic White Balance (ATW/AWB)
Sensitivity of 0.16Lux at F1.2 (Colour & B/W)	High and LowSpeed Shutter Control (ESC & DSS)
On-screen Menu Control	Manual 3-axis Camera Gimbal
Digital Noise Reduction (DNR)	Supply Voltage 12VDC
Backlight Compensation (BLC)	For Wall and Ceiling Flush and Surface Mount

Specifications

Video standard	CCIR/PAL
System	day&night
Sensor size	1/3"
Imager	CCD, Sony Super HAD II Interline Transfer
Synchronization	Internal
Signal-to-noise ratio	50dB (AGC OFF)
Sensitivity (at 50% video signal)	0.16Lux at F1.2, Colour and B&W (Videor measurement result at AGC High, DSS OFF)
Horizontal resolution	530 TVL
Rotation range	360°
Privacy Zone	On/Off switchable
Automatic gain control (AGC)	OFF / Low / Mid / High selectable
Automatic electronic shutter (ESC)	1/50 ~ 1/1200,000sec.
Manual electronic shutter (MES)	1/50 ~ 1/120,000sec.

VKCD-1322-2811

(Continuation Specifications)

Low Speed Shutter	yes
Low speed shutter	OFF, Automatic: 2 ~128 fps.
Digital Noise Reduction (DNR)	yes
Flickerless function	On/Off switchable
White balance	AWB/ATW selectable
White balance (ATW)	1800 ~10500K
Backlight compensation	BLC
Wide Dynamic Range (WDR)	no
Backlight compensation	OFF/Low/Mid/High selectable
Aperture Correction (APC)	Horizontal and vertical
IR cut filter	lowpass
Video outputs	CVBS, 1Vp-p, CVBS or VBS, 75ohms, BNC
Lens mount	integrated lens
Lens type	varifocal
Lens	F1.4 -F260/2.8 ~11mm
Aspherical technology	no
Focal length	2,8 mm - 11 mm
Horizontal angle of view	96,7° - 24,1°
Iris control	DC
MOD (Minimum object distance)	0,1 m
Filter screw size	not available
Motion Detection Function	available
Picture adjustments	Brightness (0~31), Mirroring
Menu driven set-up	On/Off switchable
External connections	Video (BNC), 12V (DC plug)
Serial interfaces	no
Temperature range (Operation)	-10° ~+50°C
Heater	no
Protection rating	IP66
Supply voltage	12VDC, (+/-10%)
Power consumption	2.4W
Vandalism resistant	yes
Colour (bubble)	clear
Mounting	Ceiling or wall surface mounting. Flush mounting after back ring removal
Camera fixing	no
Mounting	surface mount, flush mount, wall mount
Housing	Outdoor
Housing material	Aluminium
Colour (housing)	Pantone Warm Gray 1C

VKCD-1322-2811

(Continuation Spezifications)

Weight	1.4kg
Parts supplied	Mounting kit, Torx wrench key, Blind cover 3/4"
Certificates	CE

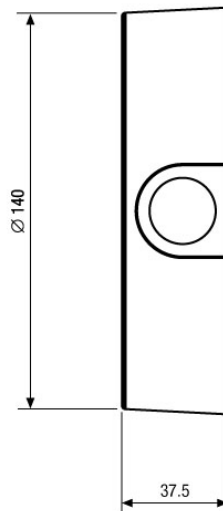
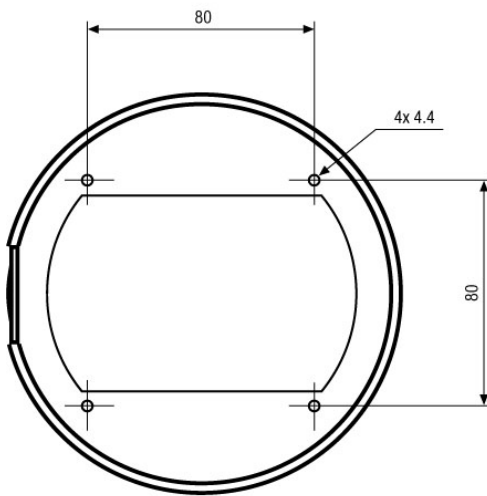
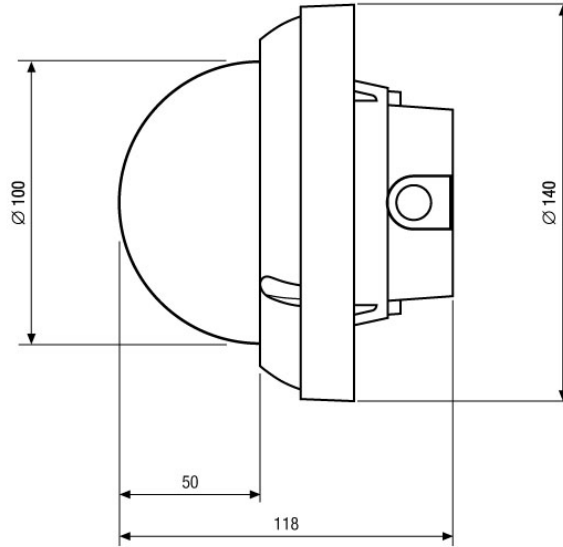
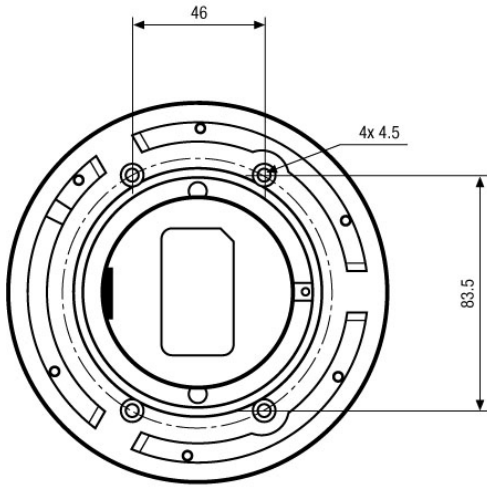
Optional accessories

70535	VT-PS12DC-8	Plug-in Power Supply Unit 100-240VAC 12VDC (1.0Amp), Regulated, with DC Plug
92168	IRCAM/WB2	Wall Mount Kit for VKCD-1322 and VKCD-1324/IR
70495	VT-PS12DC-7	Plugable PSU w. Cont. & UK Mains plug-in 100-240VAC/12VDC-1.25A, Regulated
77773	VT-PS12DCDT1	PSU 12VDC/1.0A, Regulated, Desktop Version, 1.8m Cables each w. open ends
92209	IRCAM/CB1	Ceiling Mount Kit for VKCD-1322 and VKC-1324/IR
88149	3/4" - M25X1.5	Thread Adapter 3/4" - Conduit Connection M25x1.5mm for Dome Surface Mount Housing

VKCD-1322-2811

Home | Security | Dome Cameras | Fixed

Technical drawing



Maße/Dimensions: mm