

Video Security



VKCD-1311SM/VF

1/3" Colour Dome Camera, Surface Mount
with F1.5/4-9mm Lens, 12VDC, 550TVL

Art-No. 92049



Features

For Wall and Ceiling Surface Mount
Vandal and Tamper-Resistant
Tinted Lexan Bubble, 100mm
1/3" Colour Board Camera with Super HAD CCD
Integrated F1.5/4-9mm Varifocal Lens w. DC Iris
Resolution of 550 Horizontal Lines

Digital Signal Processing (DSP)
Back Light Compensation (BLC)
Automatic White Balance (ATW)
Manual 3-axis Camera Adjustment
For Easy Indoor and Outdoor Installation (IP65)

Specifications

System	CCIR/PAL
Imager	1/3" Sony Progressive Scan CCD
Active picture elements	Ca. 440.000, (H) 752 x (V) 582 Pixels
Horizontal resolution	550 TV lines
Sensitivity at 50% video signal	0.3 Lux at F1.2 (VT measurement result including bubble)
Signal-to-noise ratio	48dB (AGC OFF)
Gamma correction	Approx. 0.45
Synchronization	Internal
Automatic shutter (AES)	Not available
Flickerless function	On/Off switchable
Automatic gain control (AGC)	On/Off switchable
Backlight compensation (BLC)	On/Off switchable
Aperture Correction (APC)	Horizontal and vertical
White balance (AWB)	Automatic control
Lens	F1.5~340 / 4~9mm with galvanometer controlled iris
Focus range	0.5m ~ ∞
Horizontal angle of view	71° ~ 31.6°
Video output	1Vp-p, CVBS, 75ohms

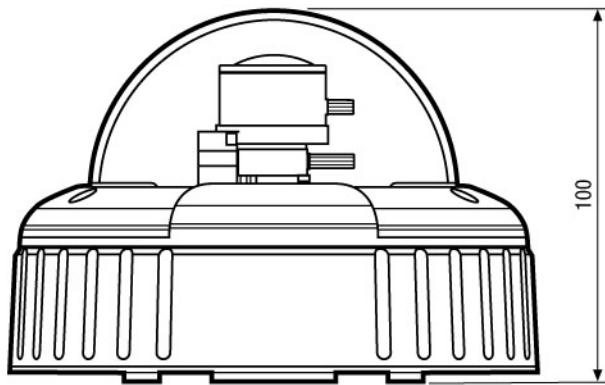
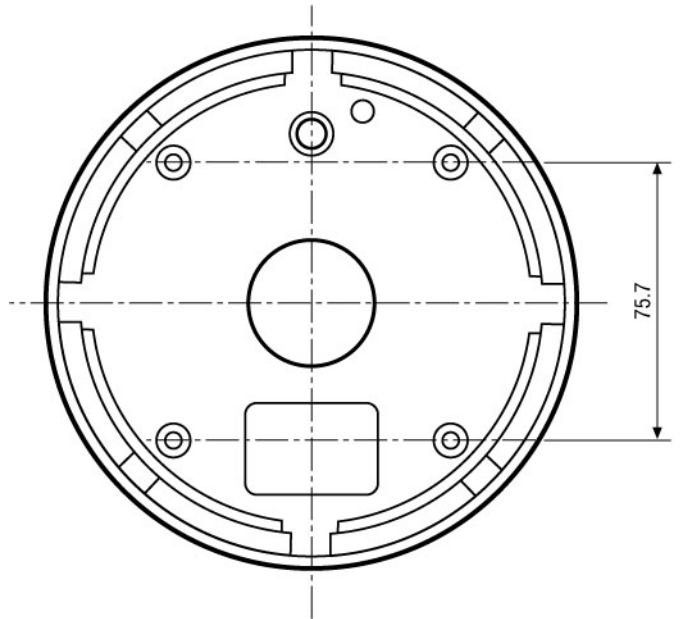
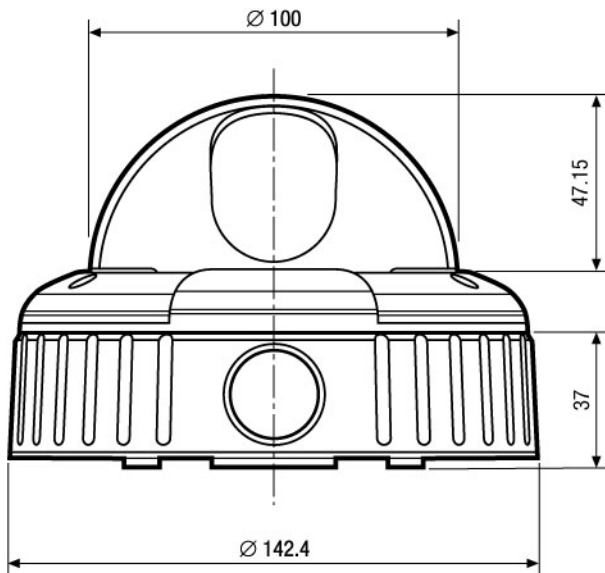
VKCD-1311SM/VF

(Specifications continued)

Supply voltage	12VDC (9 ~ 15VDC), 12VDC \pm 0,5V recommended
Power consumption	3.0watts max.
Camera adjustment	3-axis camera adjustment: 360° horizontal rotation / +45° tilt rotation, 360° pan rotation
Housing	Die-cast aluminium with tinted polycarbonate bubble
Bubble	100mm diameter, Vandal resistant 3mm -tinted-polycarbonate with high resistance
Protection rating	IP65 (at installation according to the manual)
Temperature range	-10°C ~ +50°C
Cable connection	Video (BNC), 12VDC (DC jack)
Dimensions (HxWxD)	See drawing
Weight	840g
Parts supplied	Mounting screw kit, Torx wrench key, Service monitor cable (Cinch plug), Guide pattern, Manual

Accessories

77779 / VT-PS12DC-UK	Power Supply Unit w. UK Mains plug-in, 100-240VAC/12VDC-1.0A, Regul., open Ends
70447 / VT-PS12DC-5	Plug-in Power Supply Unit 100-240VAC 12VDC (1.0Amp), Regulated, with DC Plug
77772 / VT-PS12DCDT	PSU 12VDC/0,5A, Regulated, Desktop Version, 1.8m Cable each w. open ends



Maße/Dimensions: mm