

Video Security



VKC-144/WDDG2

1/4" Colour Dome Camera, Drop Ceiling Mount with 3.6mm Lens, 12VDC, 380TVL

Art-No. 91854



Features

For Wall and Ceiling Surface Mount
Vandal and Tamper-Resistant
Clear Lexan Bubble with Inner Liner
1/4" CCD Colour Board Camera
Integrated Lens: F2.0/3.6mm
Resolution of 380 Horizontal Lines

Electronic Shutter Control (ESC)
Automatic Gain Control (AGC)
Back Light Compensation (BLC)
Automatic White Balance (AWB)
Manual 3-axis Camera Adjustment
For Easy Indoor and Outdoor Installation

Specifications

System	CCIR/PAL
Imager	1/4" Sony Super HAD Interline Transfer CCD
Active picture elements	Approx. 290,000 (H) 500 x (V) 582
Horizontal resolution	380 TV lines
Sensitivity at 50% video signal	3.5Lux at F2,0 (VT measurement result); 1.25Lux at F1.2
Gamma correction	Approx. 0.45
Synchronization	Internal
Electronic shutter control (ESC)	1/50 ~ 1/100,000Sec.
Automatic gain control (AGC)	41dB
Backlight compensation (BLC)	Yes
White balance	Automatic (through the lens)
Lens	F2.0/3.6mm w/o. iris
Horizontal angle of view	52°
Video output	1Vp-p, CVBS, 75ohms
Supply voltage	12VDC (+/-10 %)
Power consumption	Approx. 1.5watts
Housing	Die-cast aluminium with clear polycarbonate bubble

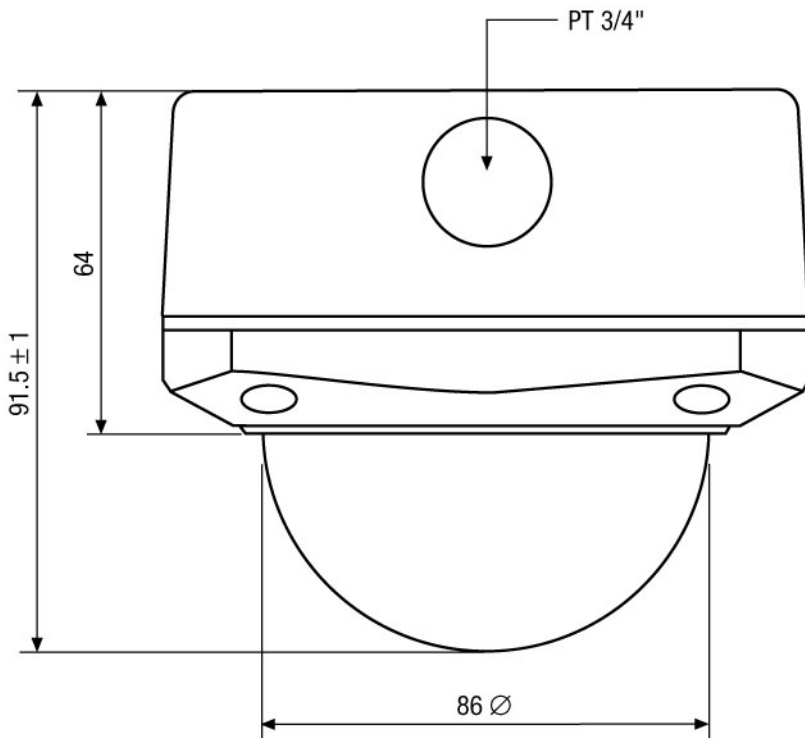
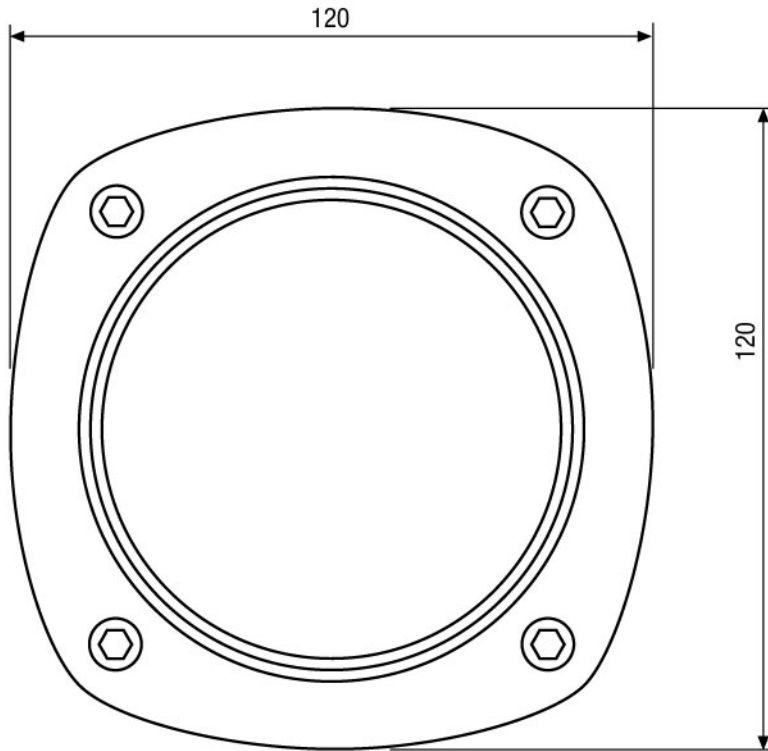
VKC-144/WDDG2

(Specifications continued)

Bubble	Vandal resistant 3mm clear polycarbonate bubble with inner liner
Colour	Pantone Coolgray 1C
Cable entry	3/4" and 1/2" thread for conduit glands, lock stopper included
Mounting	Wall & ceiling surface mount
Protection rating	IP65 (at installation according to the manual)
Temperature range	-10°C ~ +50°C (-30° with heater kit, #71664)
Thermostat switching points	+2.4°C ON / +22°C OFF (heater kit 12V, #71664, optional)
Cable connection	Open leads
Dimensions (HxWxD)	See drawing
Weight	Approx. 750g
Parts supplied	Mounting kit, 1/2" gland, Blind covers, Torx wrench key

Accessories

40059 / H0225M	F2.5/2.5mm Board Camera Lens, 1/3" M12X0.5
40061 / H0820M	F2.0/8mm Board Camera Lens, 1/3" M12X0.5
77779 / VT-PS12DC-UK	Power Supply Unit w. UK Mains plug-in, 100-240VAC/12VDC-1.0A, Regul., open Ends
40065 / H1225	F2.5/12mm Board camera lens, 1/3" M12x0.5
40072 / H0620M	F2.0/6mm Board Camera Lens, 1/3" M12x0.5
77772 / VT-PS12DCDT	PSU 12VDC/0,5A, Regulated, Desktop Version, 1.8m Cable each w. open ends
70448 / VT-PS12DC-6	Plug-in Power Supply Unit 100-240VAC 12VDC (1.0Amp), Regulated, w. Open Ends
71664 / WDDG2/H12	Low Voltage Heater Kit 12V/8W for WDDG-2 housing
73844 / FW7362/12	Plugable AC/DC Adapter 100-240V/12VDC-2.5A, Regulated



Maße/Dimensions: mm

VIDEOR TECHNICAL E. Hartig GmbH
 Carl-Zeiss-Straße 8 · 63322 Rödermark · Germany
 Telefon +49 (0) 60 74/8 88-0 · Telefax +49 (0) 60 74/8 88-100
 info@videortechnical.com · www.videortechnical.com