



VKC-1424-12

Article-No.: 92755

1/4" Camera, Day&Night, WDR,
BLC, 12x Zoom, 3.8-45.6mm,
650TVL, 12VDC

Mainfeatures

Hi-res day&night camera with double scan CCD
True day&night mode with IR cut filter
Powerful digital noise reduction (2D/3D DNR)
High and low speed shutter control
Privacy masking

12x autofocus lens / 32x digital zoom
WDR Advanced wide dynamic range up to x512
Motion detection (MD)
Digital effects: H/V reverse, 180° rotate, freeze
On-screen menu control (OSD)




Specifications

System	day&night
Video standard	CCIR/PAL
Sensor size	1/4"
Imager	CCD
Imager	Sony Super HAD II (Double Scan)
Synchronization	internal
Signal-to-noise ratio	50dB (AGC OFF)
Gamma correction	0.45
Horizontal resolution	650 TVL
Sensitivity (at 50% video signal)	0,16 Lux
Sensitivity (at 50% video signal)	(colour), 0.08Lux (B&W) at F1.2 (measured)
Exposure modes	automatic, indoor use, outdoor use, manual, iris priority, shutter priority
Automatic electronic shutter (ESC)	1/50 - 1/100,000sec.
Manual electronic shutter (MES)	1/50 - 1/100,000sec.
Low speed shutter	yes
Low speed shutter	2 - 512fps.

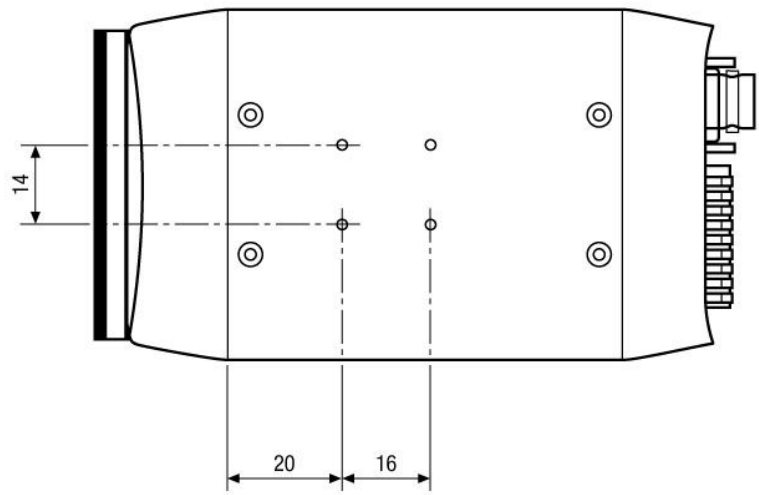
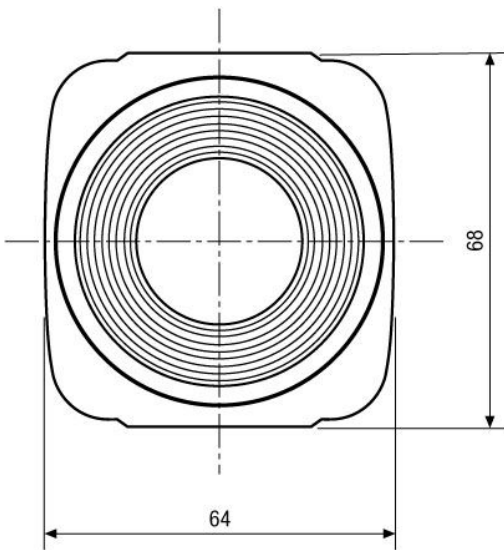
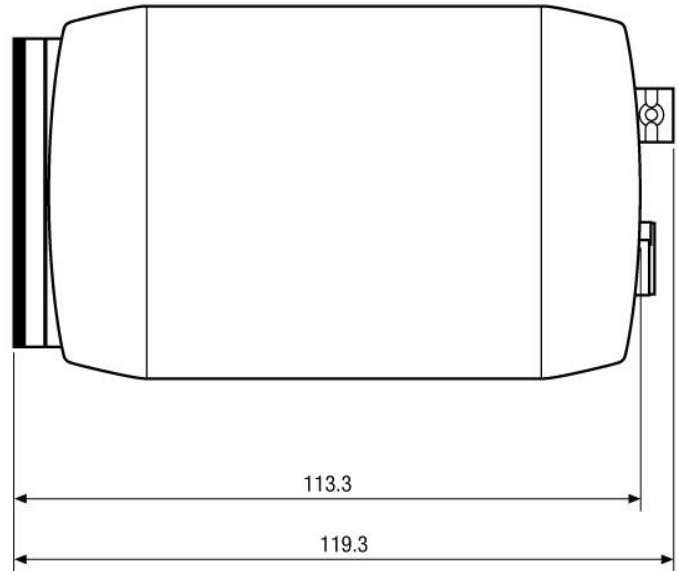
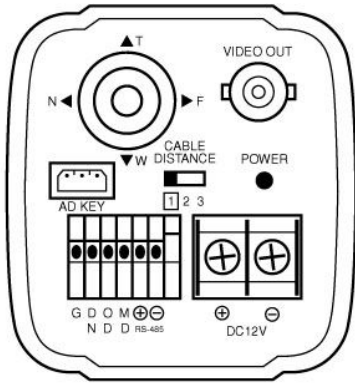
Specifications (continued)

Automatic gain control (AGC)	ON/OFF switchable
Digital Noise Reduction (DNR)	yes
Digital Noise Reduction (DNR)	2D & 3D
Flickerless function	ON/OFF switchable
Mirror function	vertical, horizontal, 180° rotation
White balance	automatic, manual, one push, indoor, outdoor, ATW
Backlight compensation	BLC
Backlight compensation	ON/OFF switchable, automatic, manual, 9 adjustable zones
Wide Dynamic Range (WDR)	WDR
Aperture Correction (APC)	horizontal, vertical
IR cut filter	switchable
Video outputs	composite (CVBS)
Lens type	zoom
Focal length	3,8 mm - 45,6 mm
Aperture range (F)	F1,6-F2,7
e-PTZ support	no
Digital zoom	2x - 32x
Horizontal angle of view	45,6° - 4,0°
MOD (Minimum object distance)	0,1 m
Illumination	no
Menu languages	English, Chinese
OSD function control	AGC, DNR, colour/B&W, motion detection, WDR/BLC, privacy zones, white balance, text, effect (freeze, pos./neg., flickerless), sharpness correction, shutter control, brightness title and camera ID
Text display	yes
Activity detection	yes
Motion detector	3 zones, ON/OFF switchable
Privacy zones masking	16 zones masking, ON/OFF switchable
Serial interfaces	RS-485
Serial interfaces protocols	Pelco D, Pelco P, Visca
External adjustments	menu, zoom and focus, switch for cable length adjustment
External connections	RS-485, alarm output, external day&night switching, video (BNC), AD key
Temperature range (operation)	-10°C ~ +50°C
Housing material	metal, plastic
Integrated wall mount	no
Window heater	no
Vandalism resistant	no
Protection rating	n/a
Alarm inputs	no
Alarm outputs	1
Supply voltage	12VDC
Supply voltage	(+/-10%)
Power consumption	3.6W max.
Dimensions (HxWxD)	68x64x119,3mm
Weight	280 g
Parts supplied	camera, manual
Certificates	CE

Optional Accessories

Image	Artikel-Nr. / Typ	Description
	VT-PS12DC-9	Plug-in Power Supply Unit 100-240VAC 12VDC (1.0Amp), Regulated, w. open Ends
	WD-23	Wall Mount Bracket with Ball Joint, 1/4" Camera Fixing Screw, Pantone 877
	VTL-WWD	Weatherproof Housing (300mm) RAL9002, Wallbracket, Thermostat, Heater 12-24V

Technical Drawing



Maße/Dimensions: mm



Your partner for eneo products:

