



VKC-1423

Article-No.: 92255

1/4" Colour Camera with 18x Zoom Lens
OSD, DSS, 12VDC, 480TVL

Mainfeatures

Integral 18x AF Zoom Lens/10x Digital Zoom
Sensitivity of 1.8Lux at F1.2 (Colour)
Programmable Back Light Compensation (BLC)
Low Speed Shutter Control up to 128 Fields (DSS)
Automatic & Manual White Balance (AWB)

Resolution of 480 Horizontal Lines
On-screen Menu Control (OSD)
Electronic Shutter Control (ESC)
Automatic Gain Control (AGC)
Adjustable Video Transmission Distance (3 Steps)

Specifications

System	Colour
Video standard	PAL
Signal processing	Digital (DSP)
Sensor size	1/4"
Imager	CCD
Imager	1/4" Sony Super HAD Interline Transfer CCD
Active picture elements	440,000, 752(H) x 582(V)
Synchronization	Internal
Signal-to-noise ratio	48dB (AGC Off)
Horizontal resolution	480 TVL
Sensitivity (at 50% video signal)	1.8Lux (colour and B&W), Videor measurement result at F1.2
Integration rate	yes
Low speed shutter (DSS)	Automatic, 2 ~ 128 Fps.
Automatic gain control (AGC)	Included
Digital Noise Reduction (DNR)	no
White balance	Automatic or manual
Backlight compensation	BLC

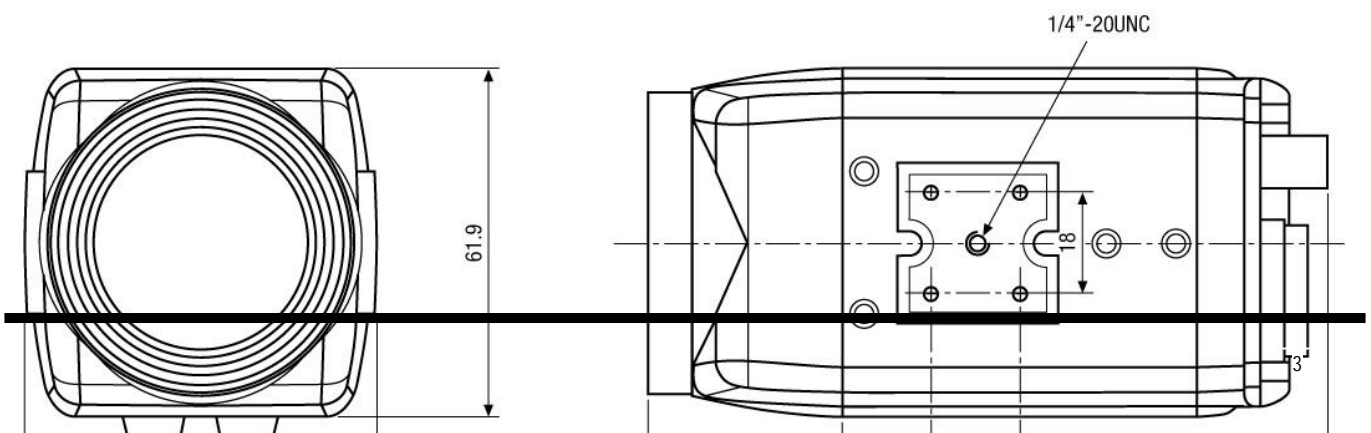
Specifications (continued)

Backlight compensation	Automatic, ON/OFF switchable
IR cut filter	standard
Video outputs (type)	CVBS
Video outputs	1Vp-p, CVBS, 75ohms
Lens type	zoom
Lens	F1.6 ~ F64/3.6 ~ 64.8mm
Lens mount	integrated lens
Aspherical technology	yes
Focal length	3,6 mm - 64,8 mm
Digital Zoom	2x ~ 10x
Horizontal angle of view	55,21° - 3,14°
Iris control	Auto iris controlled
Iris control	DC
Filter screw size	not available
MOD (Minimum object distance)	0,1 m
Minimum object distance (MOD)	Wide angle: 10cm Tele end: 1.0m
OSD function control	Main menu: Camera-ID no. (up to 255), B&W switching, Sharpness, Positive/Negative switching. Focus: Autofocus ON/OFF, Zoom end positions. AWB: White balance Automatic/manual. Brightness, Shutter, BLC ON/OFF. Display: Menu ON/OFF. Initial: Camera settings ON/OFF
Menu driven set-up	On/Off switchable
Serial interfaces	RS-485
Serial port	(control SW, interface protocols: Pelco D, further upon request)
External adjustments	Menu: ON/OFF Focus: Near/Far Zoom: T/W. Cable length compensation (3 steps)
External connections	Video (BNC), 12VDC Power input, 5pin RS-485 Serial interface socket / ZF control
Protection rating	IP40
Supply voltage	12VDC
Supply voltage	12VDC (9 ~ 15VDC), 12VDC ±0.5V recommended
Power consumption	4.7W max.
Temperature range (Operation)	+5°C ~ +40°C
Housing material	Plastic
Housing	Indoor
Integrated wall mount	no
Hidden cable management	no
Sunshield	no
Window heater	no
Clear Shield	no
Colour (housing)	silver grey
Dimensions (HxWxD)	See drawing
Weight	approx. 330g
Parts supplied	Camera, Manual
Certificates	CE, BGV Kassen

Optional Accessories

Image	Artikel-Nr. / Typ	Description
	WD-18	Wall Mount with Ball Joint, 1/4" Camera Fixing Screw, Beige Grey
	WD-21/RAL9006	Wall Mount Bracket with Ball Joint, 1/4" Camera Fixing Screw, RAL9006
	WD-23	Wall Mount Bracket with Ball Joint, 1/4" Camera Fixing Screw, Pantone 877
	VT-PS12DC-9	Plug-in Power Supply Unit 100-240VAC 12VDC (1.0Amp), Regulated, w. open Ends
	VT-PS12DCDT1	PSU 12VDC/1.0A, Regulated, Desktop Version, 1.8m Cables each w. open ends
	VT-PS12DC-7	Plugable PSU w. Cont. & UK Mains plug-in 100-240VAC/12VDC-1.25A, Regulated

Technical Drawing





Your partner for eneo products:

