

# Video Security

Cameras | Security Cameras

## VKC-1421

1/4" Colour Camera with 22x Zoom Lens  
DSP, DSS, 12VDC/24VAC, 480TVL

Art-No. 92059



## Features

Integrated 22x AF Zoom Lens / 10x Digital Zoom  
Resolution of 480 Horizontal Lines  
Sensitivity of 1.54Lux at F1.2  
On-screen Menu Control (OSD)  
Programmable Back Light Compensation (BLC)  
Manual Shutter Control (MES)

Low Speed Shutter Control up to 128 Fields (DSS)  
Automatic Gain Control (AGC)  
Automatic White Balance (AWB)  
Adjustable Video Transmission Distance (3 Steps)  
RS-485 Serial Control Interface / ZF Control  
Supply Voltage: 12VDC / 24VAC

## Specifications

System	CCIR/PAL
Imager	1/4" Sony Super HAD Interline Transfer CCD
Active picture elements	Approx. 440,000, (H) 752 x (V) 582
Signal processing	Digital (DSP)
Synchronization	Internal
Sensitivity at 50% video signal	1.54 (0.13) Lux at colour and B&W, VT measurement result at F1.2 (DSS ON/12Flds.)
Horizontal resolution	480TV lines (colour & B/W)
Signal amplification	3 steps (for transmission distance short, middle, long)
Zoom function	Manual via buttons. Menu controlled start and end limitation
Focus control	Automatic and manual
Sharpness correction	Adjustment Range: 0 ~ 15
Brightness	Adjustment Range: 0 ~ 48
Manual electronic shutter (MES)	1/50 ~ 1/10,000Sec. (8 steps)
Low speed shutter (DSS)	Automatic, 2 ~ 128 Fields
Automatic gain control (AGC)	Supplied
White balance	Automatic or manual

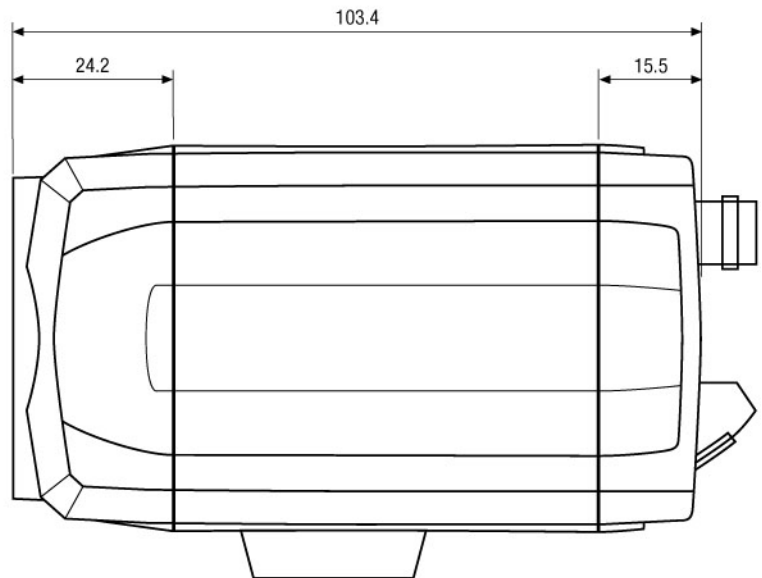
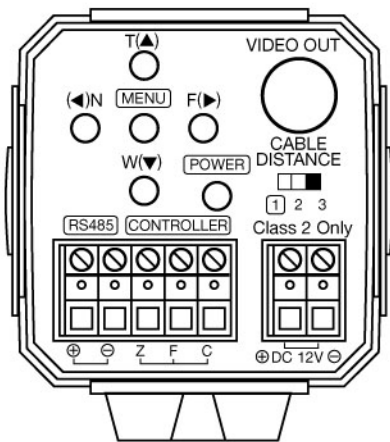
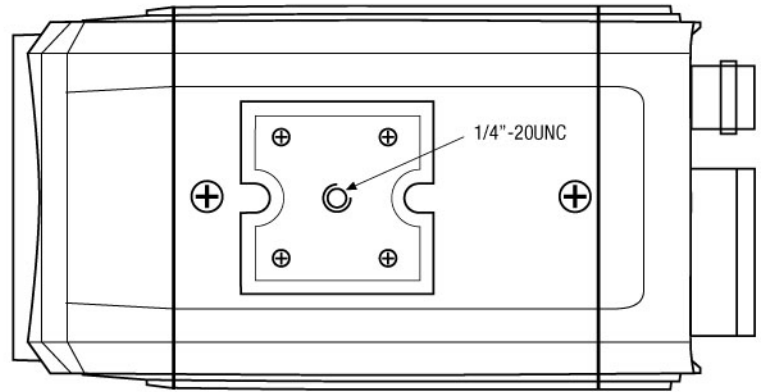
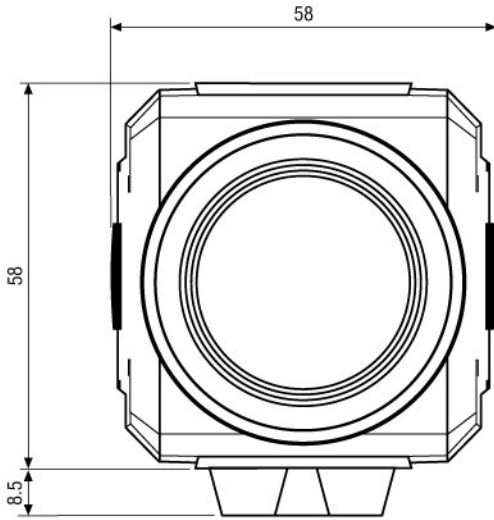
(Specifications continued)

<b>Signal-to-noise ratio</b>	48db (AGC OFF)
<b>OSD function control</b>	Main menu: Camera-ID no. (up to 255), B&W switching, Sharpness, Hor. mirror function, Positive/Negative switching. Focus: Autofocus ON/OFF, Zoom end positions. AWB: White balance Automatic/manual. Brightness, Shutter, BLC ON/OFF. Display: Menu ON/OFF. Initial: Camera settings ON/OFF
<b>Menu driven set-up</b>	ON/OFF switchable
<b>Menu languages</b>	English
<b>Serial port</b>	RS-485 (control S/W, interface protocols: Pelco D and upon request)
<b>Backlight compensation (BLC)</b>	Automatic, ON/OFF switchable
<b>Zoom range</b>	3.9 ~ 85.8mm (22x Zoom)
<b>Aperture range</b>	F1.6 ~ F55
<b>Digital Zoom</b>	2x ~ 10x
<b>Horizontal angle of view</b>	Wide angle: 50°; Tele end: 2.4°
<b>Filter screw size</b>	-
<b>Iris control</b>	Auto iris controlled
<b>External adjustments</b>	Menu: ON/OFF; Focus: Near/Far; Zoom: T/W. Cable length compensation (3 steps)
<b>Video output</b>	1Vp-p, (C)VBS, 75ohms
<b>External connections</b>	Video (BNC), Power input, 5pin RS-485 Serial interface socket / ZF control
<b>Camera mount</b>	Mounting socket with 1/4" - 20 UNC thread
<b>Supply voltage</b>	12VDC (±0.5V) ; 24VAC (±0.5V), 50Hz
<b>Power consumption</b>	5.4watts max.
<b>Temperature range</b>	-10° ~ +50°C
<b>Dimensions (HxWxD)</b>	See drawing
<b>Housing</b>	Plastic
<b>Colour</b>	Silver grey
<b>Weight</b>	Approx. 300g
<b>Parts supplied</b>	Camera, Manual

## Accessories

<b>77779 / VT-PS12DC-UK</b>	Power Supply Unit w. UK Mains plug-in, 100-240VAC/12VDC-1.0A, Regul., open Ends
<b>70688 / WD-18</b>	Wall Mount with Ball Joint, 1/4" Camera Fixing Screw, Beige Grey
<b>77772 / VT-PS12DCDT</b>	PSU 12VDC/0,5A, Regulated, Desktop Version, 1.8m Cable each w. open ends
<b>70448 / VT-PS12DC-6</b>	Plug-in Power Supply Unit 100-240VAC 12VDC (1.0Amp), Regulated, w. Open Ends
<b>70697 / WD-21/RAL9006</b>	Wall Mount Bracket with Ball Joint, 1/4" Camera Fixing Screw, RAL9006
<b>70771 / WD-23</b>	Wall Mount Bracket with Ball Joint, 1/4" Camera Fixing Screw, Pantone 877
<b>74088 / EDC-KBD1</b>	System Keyboard with 3-axis Joystick, 12VDC/230VAC

(Accessories continued)



Maße/Dimensions: mm

VIDEOR TECHNICAL E. Hartig GmbH  
 Carl-Zeiss-Straße 8 · 63322 Rödermark · Germany  
 Telefon +49 (0) 60 74/8 88-0 · Telefax +49 (0) 60 74/8 88-100  
 info@videortechnical.com · www.videortechnical.com

