

Video Security

Cameras | Day/Night Cameras

VKC-1417/IR

1/4" Day&Night Camera w. IR Illumination
F1.6/3.5-91mm (26x Zoom), 480TVL, 12VDC

Art-No. 91986



Features

Integrated 26x AF Zoom Lens/10x Digital Zoom
Resolution of 480 Horizontal Lines
Sensitivity of 0.78Lux at F1.2 (Colour)
On-screen Menu Control
Digital Signal Processing (DSP)
Programmable Back Light Compensation (BLC)

Electronic Shutter Control (ESC)
H/V Aperture Correction (APC)
Automatic White Balance (AWB)
IR Illumination by 7 integrated 850nm LED`s
RS-485 Serial Control Interface
Supply Voltage: 12VDC

Specifications

System	CCIR/PAL
Imager	1/4" Sony Super HAD Interline Transfer CCD
Active picture elements	Approx. 440,000, (H) 752 x (V) 582
Signal processing	Digital (DSP)
Synchronization	Internal
Sensitivity at 50% video signal	1.4 (0.78) Lux (Colour), 0.94 (0.53) Lux (B&W), VT measurement result at F1.6 (F1.2)
Horizontal resolution	480TV lines (colour)
Zoom function	Manual via buttons. Menu controlled start and end limitation
Focus control	Automatic and manual
Illumination	7x LED`s 850nm at 30° hor. illumination angle. Due to an integrated light sensor the LED illumination will be switched ON/OFF, depending on environmental illumination conditions
Illumination range	Approx. 5m (at a good light reflexion and 40% Videosignal)
Electronic shutter control (ESC)	1/50 ~ 1/10,00Sec., Automatik and manual
Automatic gain control (AGC)	Manual adjustable (via menu control)

VKC-1417/IR

(Specifications continued)

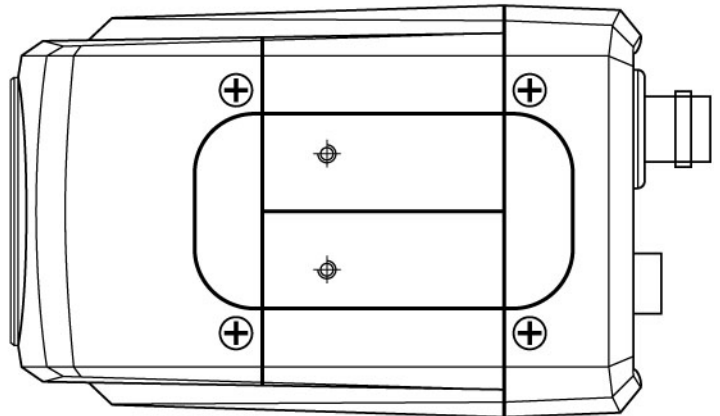
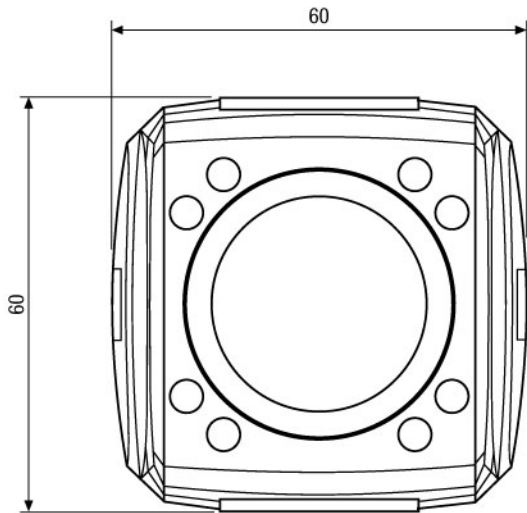
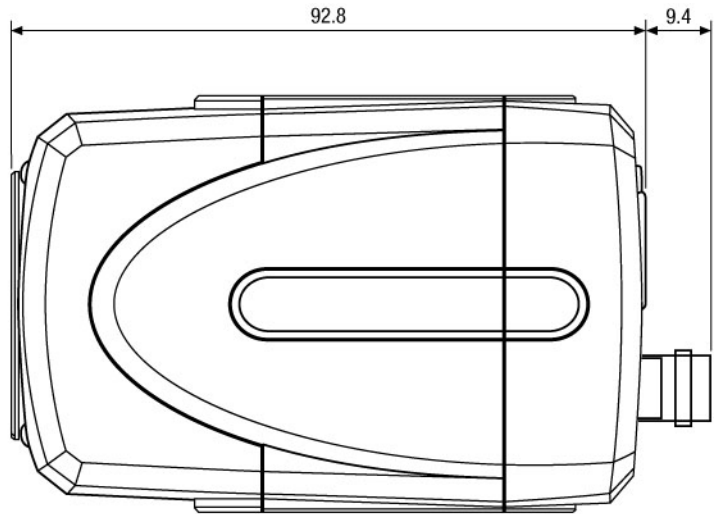
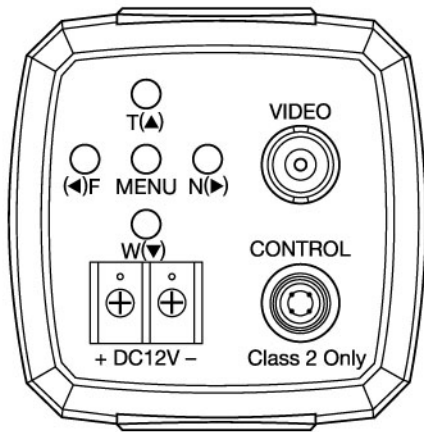
White balance	Automatic (AWB) selectable for indoor and outdoor (3200K/5400K), or manual
IR cut filter	Motorized, switchable filter. Automatic function depend on the amount of light, or fixed on "Day" or "Night" mode (Menu controlled)
Signal-to-noise ratio	48db (AGC OFF)
OSD function control	Main menu: Camera-ID no., Language selection, Camera titel/text, Colour/B&W switching, Sharpness, Hor. mirror function, Positive/Negative switching. Focus: Mode, Autofocus, Object distance, Zoom end positions/speed. AWB: White balance indoor/outdoor, Red/Blue contrast, Automatic control. AE: Mode, Brightness, Flickerless, Shutter, Iris, AGC control. Day&Night: Mode (Automatic, Day or Night), IR Filter (Brightness level/Delay), IR LED ON/OFF. BLC: Automatic or manual. Motion: Mode, Detecting area, Sensitivity, Alarm display/output via
Menu driven set-up	ON/OFF switchable
Menu languages	English and Korean
Serial port	RS-485 (Pelco D protocol)
Text display	10-digit
Backlight compensation (BLC)	Manual and Automatic, ON/OFF switchable
Zoom range	F1.6/F3.8 ~ 70/3.5 ~ 91mm (26x Zoom)
Digital Zoom	2x ~ 10x
Horizontal angle of view	Wide angle: 55°; Tele end: 2.2°
Minimum object distance (MOD)	Wide angle: 10cm; Tele end: 1.0m
Filter screw size	-
Iris control	Auto iris controlled
External adjustments	Menu: ON/OFF; Focus: Near/Far; Zoom: T/W
Video output	1Vp-p, (C)VBS, 75ohms
External connections	Video (BNC), 12VDC Power input, 6-pin RS-485 Serial interface socket
Camera mount	Mounting socket with 1/4" - 20 UNC thread
Supply voltage	12VDC (±0.5V)
Power consumption	4.2W max.
Temperature range	-10° to +50°C
Humidity range	10% ~ 85% non-condensing
Dimensions (HxWxD)	See drawing
Housing	Plastic
Colour	Silver grey
Weight	Approx. 300g
Parts supplied	Camera, Manual

Accessories

77779 / VT-PS12DC-UK	Power Supply Unit w. UK Mains plug-in, 100-240VAC/12VDC-1.0A, Regul., open Ends
70688 / WD-18	Wall Mount with Ball Joint, 1/4" Camera Fixing Screw, Beige Grey

(Accessories continued)

77772 / VT-PS12DCDT	PSU 12VDC/0,5A, Regulated, Desktop Version, 1.8m Cable each w. open ends
70448 / VT-PS12DC-6	Plug-in Power Supply Unit 100-240VAC 12VDC (1.0Amp), Regulated, w. Open Ends
73743 / KBD300A	System Keyboard with Joystick for Pelco Matrix Switchers CM6700/6800 and Esprit
70697 / WD-21/RAL9006	Wall Mount Bracket with Ball Joint, 1/4" Camera Fixing Screw, RAL9006
70771 / WD-23	Wall Mount Bracket with Ball Joint, 1/4" Camera Fixing Screw, Pantone 877
73744 / KBD200A	System Keyboard for Pelco Matrix Switchers CM6700/6800 and Esprit Systems



Maße/Dimensions: mm

VIDEOR TECHNICAL E. Hartig GmbH
 Carl-Zeiss-Straße 8 · 63322 Rödermark · Germany
 Telefon +49 (0) 60 74/8 88-0 · Telefax +49 (0) 60 74/8 88-100
 info@videortechnical.com · www.videortechnical.com

