

# Video Security

Cameras | Board Cameras

## VKC-1414/VAR39

1/4" Colour Board Camera with Lens  
F1.2/3-9mm, 12VDC, 330TVL

Art-No. 91983



## Features

1/4" Colour CCD Board Camera, 38x38mm  
Varifocal Lens with DC Controlled Iris  
Resolution of 330 Horizontal Lines  
Sensitivity of 0.7Lux  
Built-in Lens F1.2/3-9mm with DC Iris Control

Digital Signal Processing (DSP)  
Automatic Shutter Control (AES)  
Automatic White Balance (ATW)  
Backlight Compensation (BLC)  
Supply Voltage: 12VDC

## Specifications

System	Colour
Video standard	PAL
Imager	CCD, 1/4" Sony Super HAD Interline Transfer CCD
Sensor size	1/4"
Active picture elements	Approx. 290,000 (H) 500 x (V) 582 pixels
Synchronization	Internal
Signal-to-noise ratio	48dB
Gamma correction	0.45
Sensitivity (at 50% video signal)	0,7Lux
Automatic shutter control (AES)	1/50 ~ 1/100,000sec.
Integration rate	no
Automatic gain control (AGC)	28dB (AGC OFF)
Backlight compensation	BLC, Center weighted
White balance (ATW)	2000 ~ 8000K, Automatic tracking
IR cut filter	no
Mount	n/a
Lens	F1,2 ~ F360 / 3 ~ 9mm with galvanometer driven iris
Application range	security
Nominal format size	1/3"

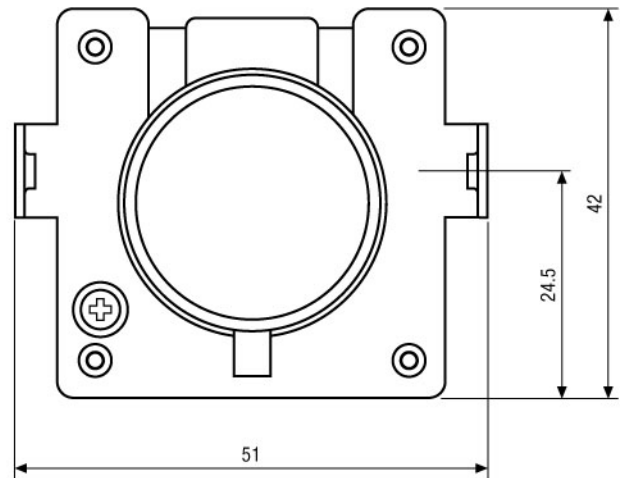
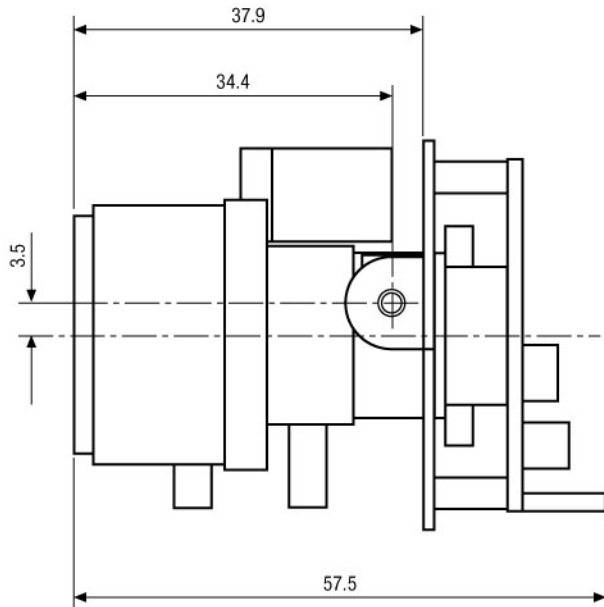
## VKC-1414/VAR39

(Specifications continued)

<b>Aspherical technology</b>	no
<b>Focal length</b>	3-9mm
<b>Horizontal angle of view</b>	66,2-23,9°
<b>Focus range</b>	0.5m ~ ?
<b>Iris control</b>	DC
<b>Lens mount</b>	integrated lens
<b>Internal adjustments</b>	Level for DC controlled iris
<b>External connections</b>	Video (BNC), 12VDC (DC plug)
<b>Video outputs (type)</b>	CVBS
<b>Video outputs</b>	1Vp-p, CVBS, 75ohms
<b>Serial interfaces</b>	no
<b>Supply voltage</b>	12VDC, (9 ~ 18VDC)
<b>Power consumption</b>	1.5watts max.
<b>Temperature range (Operation)</b>	-10° ~ +50°C
<b>Mounting</b>	Adapter plate supplied (see drawing)
<b>Housing</b>	-
<b>Dimensions (HxWxD)</b>	See drawing
<b>Weight</b>	Approx. 50g

## Accessories

<b>70447 / VT-PS12DC-5</b>	Plug-in Power Supply Unit 100-240VAC 12VDC (1.0Amp), Regulated, with DC Plug
<b>77773 / VT-PS12DCDT1</b>	PSU 12VDC/1.0A, Regulated, Desktop Version, 1.8m Cables each w. open ends



Maße/Dimensions: mm

VIDEOR TECHNICAL E. Hartig GmbH  
 Carl-Zeiss-Straße 8 · 63322 Rödermark · Germany  
 Telefon +49 (0) 60 74/8 88-0 · Telefax +49 (0) 60 74/8 88-100  
 info@videortechnical.com · www.videortechnical.com

