



Special Cameras

VKC-1410

- Integrated 21x AF Zoom Lens/8x Digital Zoom
- Resolution of 480 Horizontal Lines
- Digital Signal Processing (DSP)
- Back Light Compensation (BLC)
- Electronic Shutter Control (ESC)
- Aperture Correction (APC)
- Automatic White Balance
- CCVS and Y/C Output
- Text and Camera ID Display
- On-screen Menu Control
- RS-232 / RS-485 Serial Interface



Specifications:

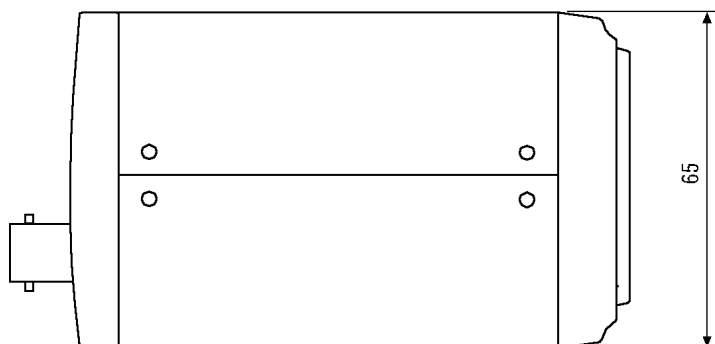
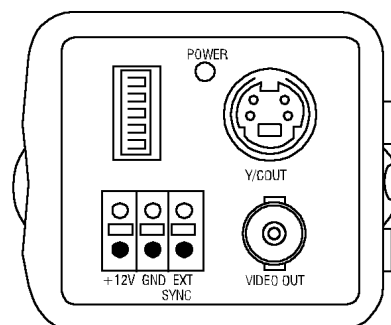
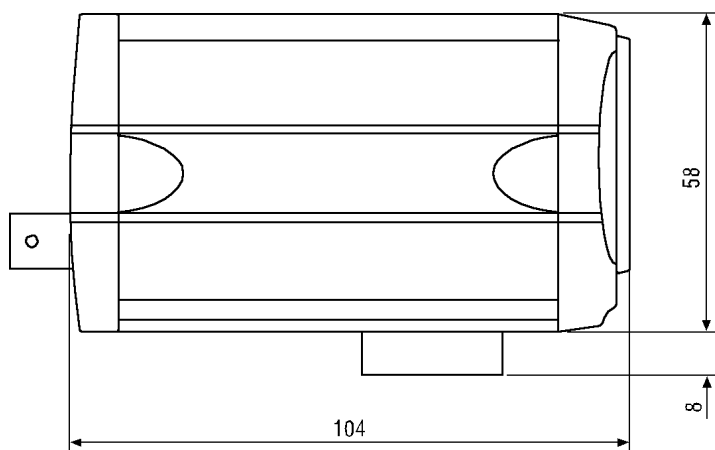
Imager	1/4" Interline transfer CCD
System	CCIR/PAL
Signal processing	Digital (DSP)
Synchronization	Internal
Sensitivity at 50% video signal	0.97 Lux at F 1.6 (AGC ON)
Horizontal resolution	480 TV lines
Active picture elements	Approx. 440,000, (H) 752 x (V) 582
Signal-to-noise ratio	46 dB (AGC OFF)
Linear shutter (ESC)	1/50 to 1/10000 sec., Automatik and manual
Video output	CCVS: 1 Vp-p, 75 Ohms Y/C: Y 1.0 Vp-p; C 0.3 Vp-p, 75 Ohms
White balance	Automatic
Automatic gain control (AGC)	Yes
Aperture Correction (APC)	Yes
Back light compensation (BLC)	Yes, ON/OFF switchable
Text display	Title and camera ID
Menu driven set-up	ON/OFF switchable
Positive/Negative	Available
Mirror function	B&w picture only

VKC-1410

Lens:

Focal length range	F1.6/3.8-79.8 mm (21x)
Iris control	Auto iris
Focus control	Automatic and manual
Minimum object distance (MOD)	1 m
Filter screw size	M37x0.7 mm
External adjustments	Menu: ON/OFF; Focus near/far and autom./man.; Lens T/W; OSD: ON/OFF
External connections	Video (BNC), S-VHS (Mini DIN), Power input, Serial interface socket with adapter cable
Camera mount	1/4" - 20 UNC thread on bottom
Supply voltage	12 VDC ($\pm 10\%$)
Power consumption	5 W max.
Temperature range	-10° to +50°C
Humidity range	0 to 96% non-condensing
Dimensions (HxWxD)	See drawing
Colour	Beige
Weight	200 g
Parts supplied	6-pin adapter cable

Accessories	
EDP No. / Type	Description
70442 VT-PS12DC-3	Power supply unit 230 VAC/12 VDC stabilized
77779 VT-PS12DC/UK	Power supply unit 230VAC/12VDC-500mA w. UK mains connector
70688 WD-18	Wall bracket (ABS) with ball joint 1/4", beige finish



Maße/Dimensions: mm

e-mail: info@eneo-security.com • www.eneo-security.com