

VKC-1378/IR-650

Home | Security | Cameras | Plug & Play

VKC-1378/IR-650
1/3" Camera, Day&Night, 6-50mm, 560TVL,
IR Illumination, 12/24V, IP68

Art-Nr. 92595



Main Features

1/3" Sony Super HAD II CCD	Privacy masking/Mirror function/Motion detection
Removal IR cut filter (ICR)	High and low speed shutter control (MES/ESC/DSS)
Sensitivity of 0.16 Lux at F1.2 (colour)	60m Night observation distance (70 pcs. IR LED's)
Integral varifocal lens F1.2/6-50mm	Externally adjustable focus & zoom
Powerful digital noise reduction (3D-DNR)	Supply voltage: 12VDC or 24VAC
Digital wide dynamic range (D-WDR)	For wall&ceiling mount, fully hidden cable routing

Specifications

System	Day&Night
Video standard	CCIR/PAL
Sensor size	1/3"
Imager	CCD, Sony Super HAD II Interline Transfer
Active picture elements	440,000, (H) 752 x (V) 582
Synchronization	Internal
Signal-to-noise ratio	50dB (AGC OFF)
Gamma correction	0.5 ~1.0
Horizontal resolution	560 TVL, (colour), 600 TVL (B&W)
Sensitivity (at 50% video signal)	0,16 Lux, (colour), 0.08Lux (B&W) at F1.2 (measured)
Automatic electronic shutter (ESC)	1/50 ~1/100,000sec.
Manual electronic shutter (MES)	1/50 ~1/100,000sec.
Low Speed Shutter	yes

VKC-1378/IR-650

(Continuation Specifications)

Low speed shutter	automatic, 2 ~256 Fps.
Automatic gain control (AGC)	OFF/LOW/MID/HIGH selectable
Digital Noise Reduction (DNR)	yes, 3D
Flickerless function	yes
Mirror function	horizontal, vertical, 180° rotation
White balance	Automatic (2000K - 8000K)
Backlight compensation	BLC, HS BLC (eclipse), ON/OFF switchable
Wide Dynamic Range (WDR)	yes, D-WDR (Digital Wide Dynamic Range)
Aperture Correction (APC)	horizontal and vertical
Brightness	adjustment range: 0 ~100
Sharpness correction	adjustment range: 0 ~31
IR cut filter	switchable
Video outputs	composite (CVBS)
Lens type	varifocal
Lens	F1.2/6-50mm
Focal length	6 mm - 50 mm
PTZ Support	no
Digital Zoom	2x ~32x
Horizontal angle of view	43,6° - 5,4°
Iris control	DC
Focus control	Easy Focus
MOD (Minimum object distance)	0,5 m
Filter screw size	not available
Illumination	infrared, 70x LED's 850nm. Due to an integrated light sensor the LED illumination will be switched ON/OFF, depending on environmental illumination conditions
Illumination range	approx. 80m (at a good light reflexion and 40% Videosignal)
Menu languages	English, Korean, Japanese, Chinese
OSD function control	H/V flip (Mirror picture), Sharpness & Brightness correction, Exposure, AGC, MES, AWB, BLC, Motion detection, Privacy zones masking, Day&Night (automatic / manual), Text
Text display	15 character label, ON/OFF switchable
Activity detection	yes
Motion detector	4 zones, ON/OFF switchable
Privacy zones masking	8 zones masking, ON/OFF switchable
Serial interfaces	no
External adjustments	zoom and focus, Menu
External connections	Video (BNC), Voltage input, Sub video output
Mounting	wall mount, For wall and ceiling mount
Temperature range (Operation)	-20°C ~+50°C

VKC-1378/IR-650

(Continuation Specifications)

Housing material	aluminium
Housing	outdoor
Integrated wall mount	yes
Hidden cable management	yes
Sunshield	yes
Window heater	no
Clear Shield	no
Colour (housing)	Pantone 7541
Vandalism resistant	no
Protection rating	IP68
Alarm inputs	no
Alarm outputs	no
Supply voltage	12VDC, 24VAC, (+/-10%)
Power consumption	12W max.
Dimensions (HxWxD)	see drawing
Weight	2.0kg
Parts supplied	camera, sunshield, wall bracket, manual, bag of screws
Certificates	CE

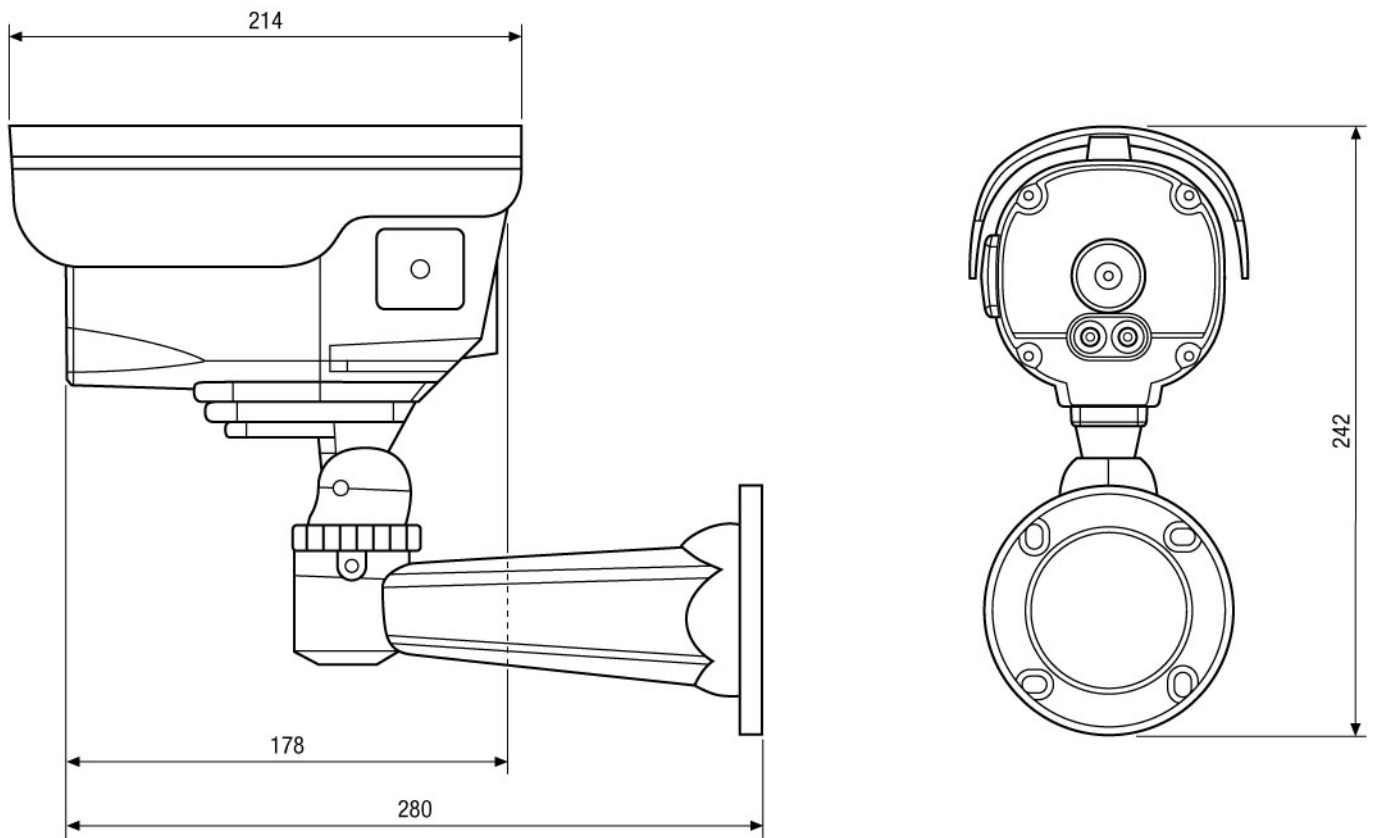
Optional accessories

70527	NE-132/AC24V	Power Supply Unit 230VAC/24VAC (1.0A)
73179	PM-42	Pole Mount Adapter, for Housing Series Candid, W3 Plug&Play
70495	VT-PS12DC-7	Plugable PSU w. Cont. & UK Mains plug-in 100-240VAC/12VDC-1.25A, Regulated

VKC-1378/IR-650

Home | Security | Cameras | Plug & Play

Technical drawing



Maße/Dimensions: mm