

VKC-1376

Home | Security | Cameras | Boxed

VKC-1376
1/3" Camera, Day&Night, 600TVL, RS-485, 230VAC,

Art-Nr. 92572



Lens not included

Main Features

1/3" Super HAD II CCD	Adjustable backlight compensation (BLC)
Colour/b&w selection	Automatic white balance (AWB)
Sensitivity of 0.1Lux at F1.2 (colour)	Privacy masking/Mirror function/Motion detection
Digital noise reduction (DNR)	RS-485 interface
Switchable automatic gain control (AGC)	Supply voltage: 230VAC
High speed shutter control (ESC/MES)	CS mount

Specifications

System	Day&Night
Video standard	CCIR/PAL
Sensor size	1/3"
Imager	CCD, Sony Super HAD II Interline Transfer
Active picture elements	440,000 (H) 752 x (V) 582
Horizontal resolution	600 TVL
Synchronization	Internal
Signal-to-noise ratio	50dB (AGC OFF)
Sensitivity (at 50% video signal)	0,1 Lux, (colour), 0.03Lux (B&W) at F1.2 (measured)
Automatic gain control (AGC)	ON/OFF switchable
Automatic electronic shutter (ESC)	1/50 ~ 1/100,000sec.
Manual electronic shutter (MES)	1/50 ~ 1/120,000sec.
Low Speed Shutter	no

VKC-1376

(Continuation Specifications)

Digital Noise Reduction (DNR)	yes, Adjustable: Max / Mid / Min, ON/OFF switchable
Backlight compensation	BLC, Adjustable: Max / Mid / Min and OFF
Wide Dynamic Range (WDR)	no
Aperture Correction (APC)	horizontal and vertical
Flickerless function	On/Off switchable
IR cut filter	OLPF (Overlay Low Pass Filter)
Privacy zones masking	4 Areas selectable
OSD function control	Colour/B&W, AGC, Mirror, Sharpness, DC level, BLC, White balance, ESC, man. Shutter, DNR, Flickerless, Image adj., Privacy zones masking, Motion detection, Text/Camera ID, Initial
Text display	Title, camera ID and status
Activity detection	yes
Motion detector	4 zones, ON/OFF switchable
Mirror function	supplied
Digital Zoom	no
PTZ Support	no
Lens mount	CS mount
Iris control	Manual iris, DC controlled iris
Illumination	no
External adjustments	Menu, Cursor Up/Down/Left/Right, Flange focus
Video outputs	composite (CVBS), 1Vp-p, CVBS or VBS, 75ohms, BNC
External connections	Video (BNC), Voltage input, 5 pin RS-485 control
Serial interfaces	RS-485
Camera mount	1/4" - 20 UNC thread on top and bottom
Alarm inputs	no
Alarm outputs	no
Supply voltage	100~240VAC
Power consumption	7.0watts
Housing	indoor
Colour	Silver grey
Hidden cable management	no
Vandalism resistant	no
Protection rating	n/a
Temperature range (Operation)	-10°C ~+50°C
Dimensions (HxWxD)	see drawing
Weight	430g
Parts supplied	5-pin adapter cable with open ends, 4-pin lens plug, manual
Certificates	CE

Optional accessories

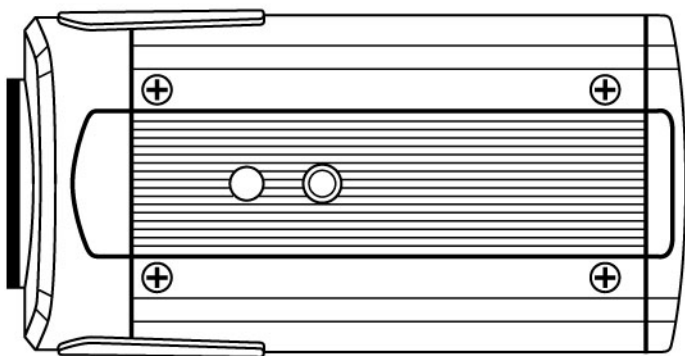
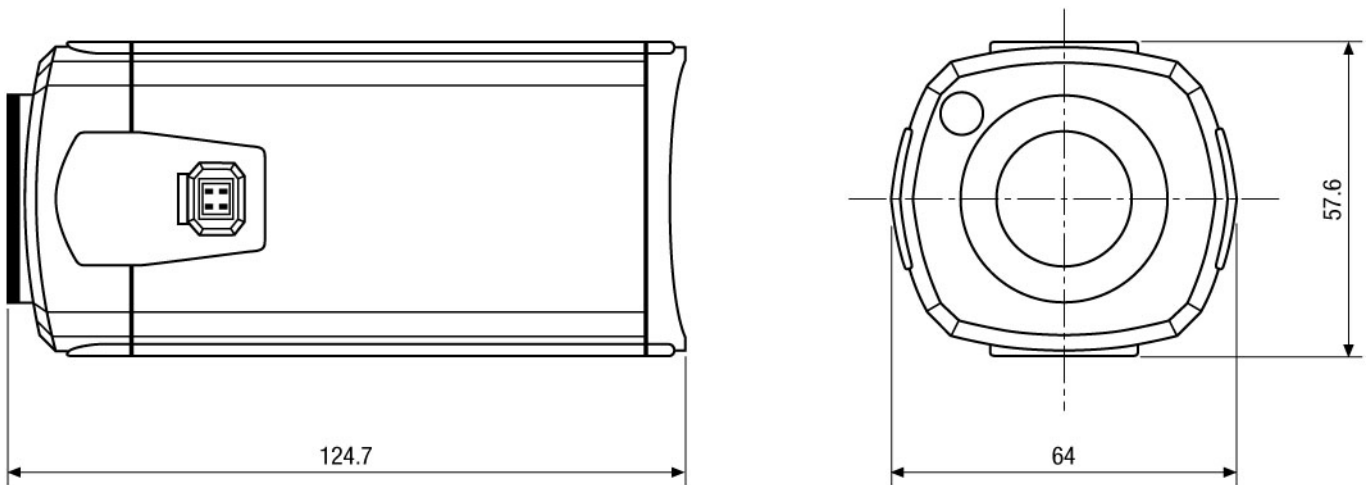
VKC-1376

43251	G04Z03NDDC-NFS	F1.2/4.5-12.5mm DC Lens/variable Focal Length, No Focus Shift, 1/2"CS Mount
43239	A10Z04NDDC-NFS	F1.4/10-40mm DC Lens/var. Focal Length with No Focus Shift, 1/2"CS Mount
43249	F07Z07NDDC-NFS	F1.3/7.5-50mm DC Lens/var. Focal Length with No Focus Shift, 1/3"CS Mount
45246	YV5X2.7R4B-SA2L	F1.3/2.7-13.5mm DC Varifocal Lens, No Focus Shift, 1/3"CS Mount
43238	F03Z2.710DC-NFS	F1.0/3-8mm DC Lens/var. Focal Length with No Focus Shift, 1/3"CS Mount
70833	WD-13/E-WA	Ceiling Mount w. Ball Joint, extendable 1/4"Camera Fixing Screw, RAL9006
70836	WD-13-WA	Ceiling Mount with Ball Joint, 1/4"Camera Fixing Screw, RAL9006
70771	WD-23	Wall Mount Bracket with Ball Joint, 1/4"Camera Fixing Screw, Pantone 877
70769	WD-22	Wall Mount Bracket with Ball Joint, 1/4"Camera Fixing Screw, Beige Grey

VKC-1376

Home | Security | Cameras | Boxed

Technical drawing



Maße/Dimensions: mm