



VKC-1376/12-24

Article-No.: 92569

1/3" Camera, Day&Night,
600TVL, RS-485, 12VDC/24VAC

Mainfeatures

1/3" Super HAD II CCD
Sensitivity of 0.1Lux at F1.2 (colour)
Switchable automatic gain control (AGC)
Adjustable backlight compensation (BLC)
Privacy masking/Mirror function/Motion detection
Supply voltage: 12VDC or 24VAC

Colour/b&w selection
Digital noise reduction (DNR)
High speed shutter control (ESC/MES)
Automatic white balance (AWB)
RS-485 interface
CS mount





Specifications

System	day&night
Video standard	CCIR/PAL
Sensor size	1/3"
Imager	CCD
Imager	Sony Super HAD II Interline Transfer
Active picture elements	440,000 (H) 752 x (V) 582
Horizontal resolution	600 TVL
Synchronization	internal
Signal-to-noise ratio	50dB (AGC OFF)
Sensitivity (at 50% video signal)	0,1 Lux
Sensitivity (at 50% video signal)	(colour), 0.03Lux (B&W) at F1.2 (measured)
Automatic gain control (AGC)	ON/OFF switchable
Automatic electronic shutter (ESC)	1/50 ~ 1/120,000sec.
Manual electronic shutter (MES)	1/50 ~ 1/120,000sec.
Low speed shutter	no
Digital Noise Reduction (DNR)	yes

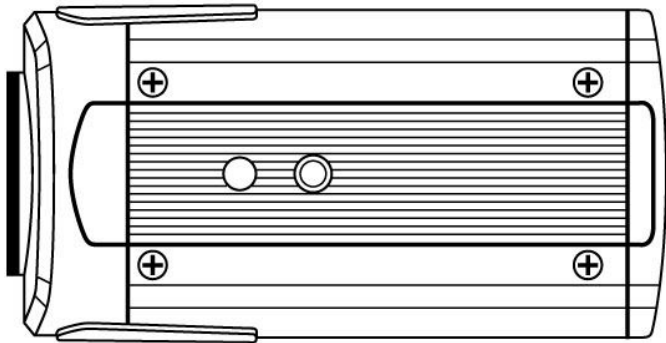
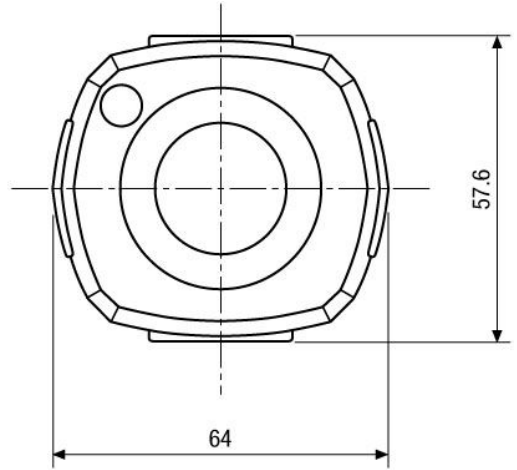
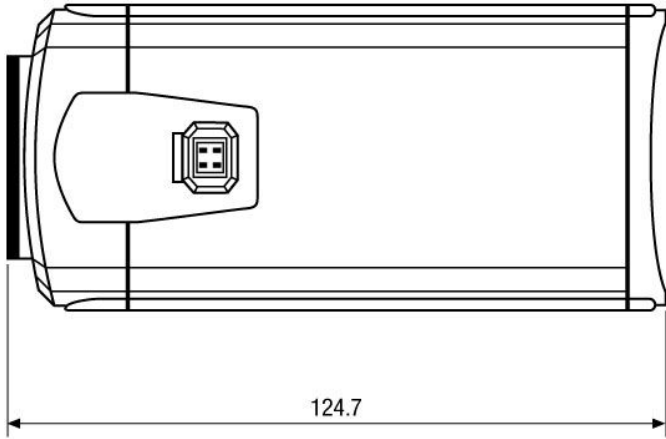
Specifications (continued)

Digital Noise Reduction (DNR)	adjustable: Max / Mid / Min, ON/OFF switchable
Backlight compensation	BLC
Backlight compensation	adjustable: Max / Mid / Min and OFF
Wide Dynamic Range (WDR)	no
Aperture Correction (APC)	horizontal and vertical
Flickerless function	ON/OFF switchable
IR cut filter	standard
Privacy zones masking	4 areas selectable
OSD function control	Colour/B&W, AGC, Mirror, Sharpness, DC level, BLC, White balance, ESC, man. Shutter, DNR, Flickerless, Image adj., Privacy zones masking, Motion detection, Text/Camera ID, Initial
Text display	title, camera ID and status
Activity detection	yes
Motion detector	4 zones, ON/OFF switchable
Mirror function	supplied
Digital zoom	no
e-PTZ support	no
Lens mount	CS mount
Iris control	Manual iris, DC controlled iris
Illumination	no
External adjustments	Menu, Cursor Up/Down/Left/Right, Flange focus
Video outputs	composite (CVBS)
Video outputs	1Vp-p, CVBS or VBS, 75ohms, BNC
External connections	Video (BNC), Voltage input, 5 pin RS-485 control
Serial interfaces	RS-485
Camera mount	1/4" - 20 UNC thread on top and bottom
Alarm inputs	no
Alarm outputs	no
Supply voltage	12VDC, 24VAC
Power consumption	3.6W
Housing	indoor
Colour	silver grey
Hidden cable management	no
Vandalism resistant	no
Protection rating	n/a
Temperature range (operation)	-10°C ~ +50°C
Dimensions (HxWxD)	see drawing
Weight	approx. 330g
Parts supplied	5 pin adapter cable with open ends, 4 pin lens plug, C/CS mount ring, manual
Certificates	CE

Optional Accessories

Image	Artikel-Nr. / Typ	Description
	WD-23	Wall Mount Bracket with Ball Joint, 1/4" Camera Fixing Screw, Pantone 877
	F03Z2.6DC-NFSHR	F1.0/3-8mm DC Lens, Varifocal, No Focus Shift, High Resolution, 1/3" CS Mount
	VT-PS12DC-9	Plug-in Power Supply Unit 100-240VAC 12VDC (1.0Amp), Regulated, w. open Ends
	VTL-WWD	Weatherproof Housing (300mm) RAL9002, Wallbracket, Thermostat, Heater 12-24V

Technical Drawing



Maße/Dimensions: mm

Your partner for eneo products:

