



## VKC-1374-1/IR

Article-No.: 92698

1/3" Camera, Day&Night,  
600TVL, 3.8-9.5mm, IR  
Illumination, 12VDC, IP65

### Mainfeatures

1/3" Sony Super HAD CCD  
Privacy zones, mirror function, motion detection  
Integrated DC varifocal lens F1.2/3.8-9.5mm  
Illumination range: approx. 20m  
Supply voltage: 12VDC

Removable IR cut filter (ICR)  
Automatic gain control (AGC)  
IR illumination by 18 integral 850nm LEDs  
Digital noise reduction (DNR)  
Protection rating: IP66

### Specifications

System	day&night
Video standard	PAL
Sensor size	1/3"
Imager	CCD
Active picture elements	440,000 (H) 752 x (V) 582
Synchronization	internal
Signal-to-noise ratio	50dB (AGC OFF)
Gamma correction	0.45
Horizontal resolution	600 TVL
Sensitivity (at 50% video signal)	0,1 Lux
Sensitivity (at 50% video signal)	(colour), 0.05Lux (B&W) at F1.2 (measured)
Automatic electronic shutter (ESC)	1/50 - 1/120,000sec.
Manual electronic shutter (MES)	1/50 - 1/120,000sec.
Low speed shutter	no
Automatic gain control (AGC)	ON/OFF, 0-20dB adjustable
Digital Noise Reduction (DNR)	yes
Flickerless function	On/Off switchable

## Specifications (continued)

Mirror function	horizontal
White balance	automatic / manually / push to set
Backlight compensation	SBLC
Wide Dynamic Range (WDR)	no
Aperture Correction (APC)	horizontal and vertical
IR cut filter	switchable
Video outputs	composite (CVBS)
Lens type	varifocal
Focal length	3,8 mm - 9,5 mm
Aperture range (F)	F1.2-F270
PTZ support	no
Digital zoom	no
Horizontal angle of view	64,6° - 28,4°
MOD (Minimum object distance)	0,15 m
Illumination	infrared
Illumination	18x LEDs 850nm / 30°, the LED illumination is switched ON/OFF and adjusted with the intelligent light regulation
Menu languages	English
OSD function control	iris, shutter control, white balance, AGC, day&night, BLC, digital noise reduction (DNR), sharpness, mirror horizontal, motion detection, privacy zones
Text display	8 character labels, ON/OFF switchable
Activity detection	yes
Motion detector	4 zones, ON/OFF switchable
Privacy zones masking	4 areas, masking, X/Y start/end
Serial interfaces	no
External connections	video (BNC), voltage input
Mounting	wall mount, ceiling mount
Temperature range (operation)	-10°C ~ +50°C
Housing material	aluminium
Housing	outdoor, bullet
Integrated wall mount	yes
Hidden cable management	no
Window screen	coated plastic for outdoor use, clear window section for the lens
Sunshield	yes
Window heater	no
Colour (housing)	anthracite
Vandalism resistant	no
Protection rating	IP66
Alarm inputs	no
Alarm outputs	no
Supply voltage	12VDC
Supply voltage	(+/-20%)
Power consumption	3.0watts max.
Dimensions (HxWxD)	see drawing
Weight	490g
Parts supplied	camera, bag of screws, manual, sunshield

---

---

## Specifications (continued)

---

Certificates
--------------

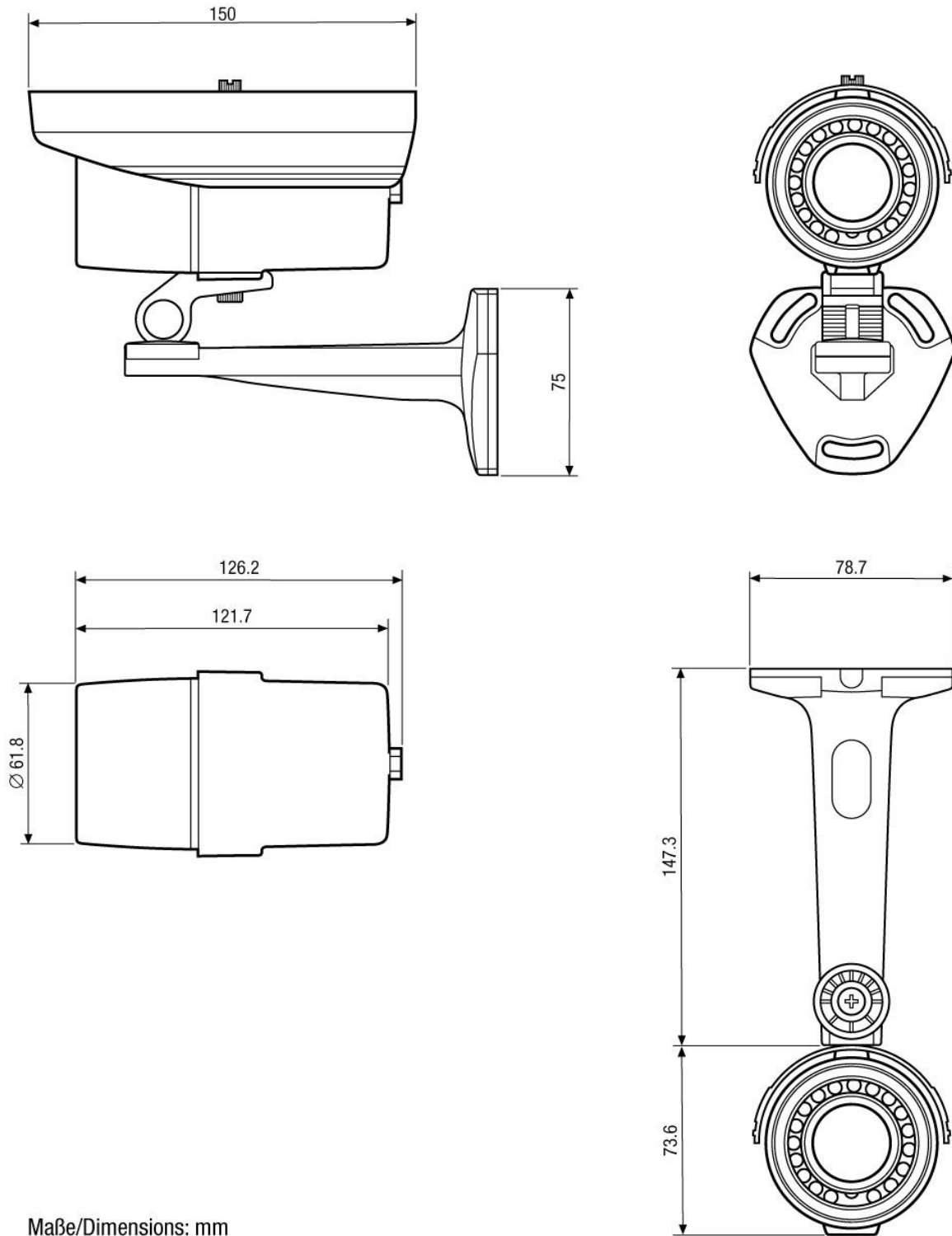
---

---

CE
----

---

### Technical Drawing



Maße/Dimensions: mm



*Your partner for eneo products:*

