

# VKC-1370/12-24

Home | Security | Cameras | Boxed

VKC-1370/12-24  
1/3" Day&Night Camera, 540TVL, 12VDC/24VAC,

Art-Nr. 92538



Lens is not included

## Main Features

1/3" Sony Super HAD CCD	Switchable Flickerless Adjustment
Sensitivity of 0.05Lux at F1.2 (B&W)	Automatic White Balance (ATW)
Automatic Gain Control (AGC)	Enhanced Sharpness Compensation
Removable IR Cut Filter	DC-Iris Control
Switchable Backlight Compensation (BLC)	Supply Voltage: 12VDC or 24VAC
Iris/Shutter Control Selectable (ALC/ESC)	CS Mount

## Specifications

System	day&night
Video standard	PAL
Sensor size	1/3"
Imager	CCD, Sony Super HAD II Interline Transfer
Active picture elements	440,000 (H) 752 x (V) 582 pixels
Horizontal resolution	540 TVL
Synchronization	Internal
Signal-to-noise ratio	50dB (AGC OFF)
Sensitivity (at 50% video signal)	0.16Lux (colour), 0.05Lux at b&w (Videor measurement result at F1.2)
Automatic electronic shutter (ESC)	1/50 ~ 1/100,000sec.
Low Speed Shutter	no
Digital Noise Reduction (DNR)	no
Backlight compensation	BLC, ON/OFF switchable

# VKC-1370/12-24

(Continuation Specifications)

<b>Wide Dynamic Range (WDR)</b>	no
<b>White balance</b>	Automatic/manual (2000K - 8000K)
<b>Aperture Correction (APC)</b>	Horizontal and vertical
<b>Flickerless function</b>	Supplied
<b>IR cut filter</b>	switchable
<b>Day/Night switching</b>	Automatic and manual
<b>OSD function control</b>	Sharpness correction
<b>Lens mount</b>	CS
<b>Iris control</b>	Manual iris, DC controlled iris
<b>External adjustments</b>	8 DIP switches for: ALC/ESC, BLC On/Off, Flickerless On/Off, Turbo AGC On/Off, Sharpnes On/Off, Day/Night, IR mode On/Off. Level for DC voltage controlled iris, Flange focus
<b>Video outputs</b>	CVBS, 1Vp-p, (C)VBS, 75ohms, BNC
<b>External connections</b>	DC Iris control (4 pin), Video (BNC), Power input
<b>Serial interfaces</b>	no
<b>Camera mount</b>	1/4" - 20 UNC thread on top and bottom
<b>Supply voltage</b>	12VDC, 24VAC, 10 ~30VDC, 15 ~29VAC
<b>Power consumption</b>	3.0watts
<b>Temperature range (Operation)</b>	-10° ~+50°C
<b>Dimensions (HxWxD)</b>	55x65x106mm
<b>Colour</b>	Pantone Cool Gray 2C
<b>Weight</b>	275g
<b>Parts supplied</b>	Camera, Manual
<b>Certificates</b>	CE

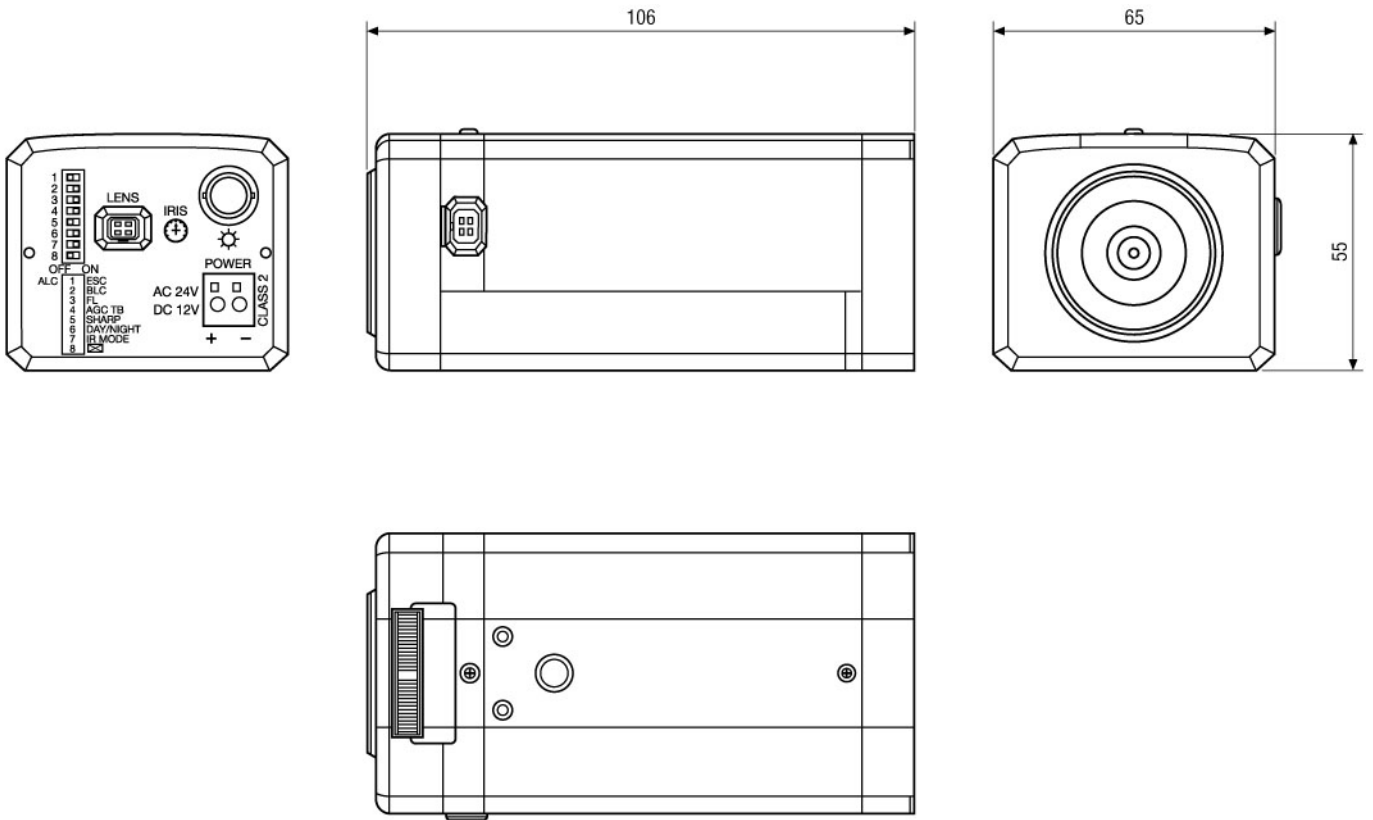
## Optional accessories

<b>70536</b>	<b>VT-PS12DC-9</b>	Plug-in Power Supply Unit 100-240VAC 12VDC (1.0Amp), Regulated, w. open Ends
<b>70495</b>	<b>VT-PS12DC-7</b>	Plugable PSU w. Cont. & UK Mains plug-in 100-240VAC/12VDC-1.25A, Regulated
<b>77773</b>	<b>VT-PS12DCDT1</b>	PSU 12VDC/1.0A, Regulated, Desktop Version, 1.8m Cables each w. open ends
<b>43106</b>	<b>C/CS RING-AL</b>	Adapter Ring, C/CS Mount, Aluminium anodized

# VKC-1370/12-24

Home | Security | Cameras | Boxed

## Technical drawing



Maße/Dimensions: mm