



VKC-1364/IR-3.7

Article-No.: 92331

1/3" Colour/B&W Camera, F2.0/3.7mm Lens,
850nm LED Illumination, 12VDC, 550TVL

Mainfeatures

Weatherproof CCD Colour/B&W Camera
Sensitivity of 0.22Lux at F1.2 (Colour)
12x of Integrated 850nm IR LED's and Sensor
Automatic Shutter Control (ESC)
Supply Voltage: 12VDC

1/3" Super HAD CCD Sensor
B&W Display at Night Time and IR LED Illumination
Approx. 15m Illumination Range
Automatic White Balance (AWB)
Aluminium Housing with Sunshield




Specifications

System	Colour, black/white
Signal processing	Digital (DSP)
Sensor size	1/3"
Imager	CCD
Imager	Sony Super HAD Interline Transfer
Active picture elements	440,000 (H) 752 x (V) 582
Synchronization	Internal
Signal-to-noise ratio	45db (AGC Off)
Gamma correction	0.45
Horizontal resolution	550 TVL
Sensitivity (at 50% video signal)	0.22Lux at F1.2 (colour); 0Lux at IR illumination
High-speed shutter (ESC)	1/50 - 1/100,000sec.
Integration rate	no
Automatic gain control (AGC)	yes
Digital Noise Reduction (DNR)	no
Automatic white balance (AWB)	Available
Backlight compensation	no

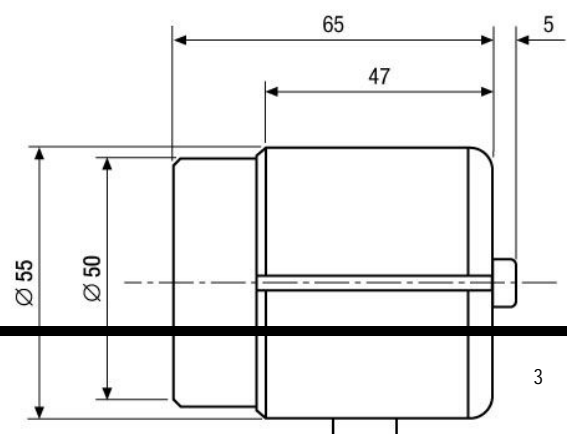
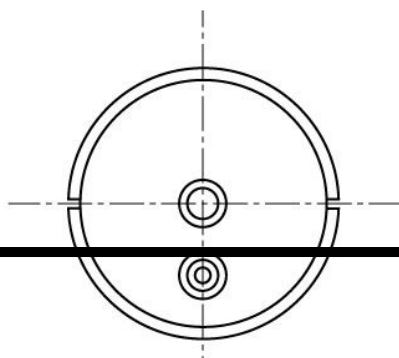
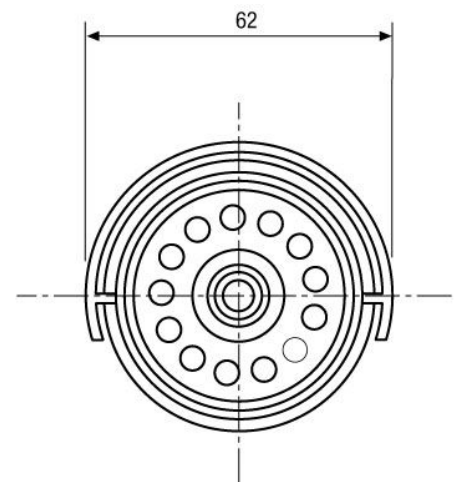
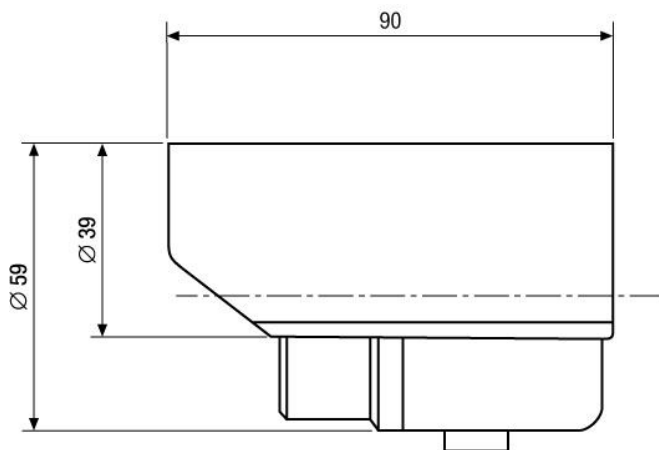
Specifications (continued)

Aperture Correction (APC)	Horizontal and vertical
IR cut filter	lowpass
Internal adjustments	-
Video outputs (type)	CVBS
Video outputs	1Vp-p, (C)VBS, 75ohms, BNC
Lens type	fixed focal length
Lens	F2.0/3.7mm with fixed iris
Lens mount	integrated lens
Aspherical technology	no
Focal length	3,7 mm
Horizontal angle of view	68°
Iris control	no
Filter screw size	not available
MOD (Minimum object distance)	0,2 m
Illumination	12x LED's. Due to an integrated light sensor the LED illumination will be switched ON/OFF, depending from environmental illumination conditions.
Illumination range	approx. 15m (at a good light reflexion and 40% Videosignal)
Serial interfaces	no
External connections	Video (BNC), 12VDC (DC socket)
Kind of mounting	1/4"-20 thread on rear side
Protection rating	IP67
Supply voltage	12VDC
Supply voltage	(+/-10%)
Power consumption	3watts
Temperature range (Operation)	-10° ~ +50°C
Housing material	Aluminium
Housing	Outdoor
Integrated wall mount	no
Hidden cable management	no
Window screen	Coated plastic for outdoor use. Clear window section for the lens
Sunshield	yes
Sunshield	yes
Window heater	no
Clear Shield	no
Colour (housing)	silver grey
Weight	310g (incl. stand)
Remarks	Lens fitted for Day&Night application
Certificates	CE

Optional Accessories

Image	Artikel-Nr. / Typ	Description
	VT-PS12DC-8	Plug-in Power Supply Unit 100-240VAC 12VDC (1.0Amp), Regulated, with DC Plug
	VT-PS12DCDT1	PSU 12VDC/1.0A, Regulated, Desktop Version, 1.8m Cables each w. open ends
	VT-PS12DC-7	Plugable PSU w. Cont. & UK Mains plug-in 100-240VAC/12VDC-1.25A, Regulated

Technical Drawing





Your partner for eneo products:

