

VKC-1360

Article-No.: 92574

1/3" Day&Night Camera, DWDR, DSS, DNR,
540TVL, 230VAC

Main features

1/3" Sony Super HAD CCD
Digital Wide Dynamic Range (D-WDR)
Highlight Suppress Back Light Compensation (HSBLC)
High and Low Speed Shutter Control (MES/ESC/DSS)
On-screen Display (OSD)

Sensitivity of 0.1Lux at F1.2 (Colour)
Selectable Gain Control (AGC)
Powerful Digital Noise Reduction (3D-DNR)
32x Digital Zoom
Privacy Masking/Mirror Function/Motion Detection



Specifications

System	Day&Night
Video standard	CCIR/PAL
Sensor size	1/3"
Imager	CCD
Imager	Sony Super HAD Interline Transfer
Active picture elements	440,000, 752(H) x 582(V)
Horizontal resolution	540 TVL
Synchronization	Internal/AC line lock
Signal-to-noise ratio	50dB (AGC OFF)
Sensitivity (at 50% video signal)	0,1 Lux
Sensitivity (at 50% video signal)	(colour), 0.07Lux (B&W) at F1.2 (measured)
Automatic gain control (AGC)	OFF/LOW/MID/HIGH selectable
Automatic electronic shutter (ESC)	1/50 ~ 1/100,000sec.
Manual electronic shutter (MES)	1/50 ~ 1/100,000sec.
Low Speed Shutter	yes
Low speed shutter	Automatic, 2 ~ 256 Fps., ON/OFF switchable
Digital Noise Reduction (DNR)	yes
Digital Noise Reduction (DNR)	3D NR with adjustable gain & size, ON/OFF switchable
Backlight compensation	BLC
Backlight compensation	HSBLC (Highlight Suppress Back Light Compensation), ON/OFF switchable
Wide Dynamic Range (WDR)	yes
Wide Dynamic Range (WDR)	(Digital Wide Dynamic Range)
White balance	AWB, ATW, AWC, manually, Indoor / Outdoor
Aperture Correction (APC)	Horizontal and vertical
Flickerless function	ON/OFF switchable
IR cut filter	switchable
Day/Night switching	By external contact closure
Privacy zones masking	8 zones masking

Specifications (continued)

OSD function control	H/V flip (Mirror picture), Rotation, Positive/Negative, Freeze, Day&Night (Auto/Manual), Shutter control, Sharpness & Brightness correction, Exposure, White balance, Sync., Privacy zones masking, Motion detection, Text
Text display	15 character label, ON/OFF switchable
Motion detector	4 zones, ON/OFF switchable
Mirror function	On/Off switchable
Digital Zoom	2x - 32x
Analysis Functions	no
Lens mount	CS
Iris control	Manual iris, Auto-Iris/DC controlled
Illumination	no
External adjustments	Flange focus, 4 menu cursor buttons
Video outputs	Composite (CVBS)
Video outputs	1Vp-p, (C)VBS, 75ohms, BNC
External connections	Video (BNC), Auto Iris/DC iris (4 pin), Power input, D&N external I/O, Alarm output
Serial interfaces	no
Camera mount	1/4" - 20 UNC thread on top and bottom
Supply voltage	230VAC
Power consumption	4.5watts
Housing	Indoor
Colour	Pantone 877C, Side wings: Pantone Cool Gray 11C
Hidden cable management	no
Protection rating	IP40
Temperature range (Operation)	-10° ~ +50°C
Dimensions (HxWxD)	See drawing
Weight	450g
Parts supplied	4-pin plug, C/CS mount ring
Certificates	CE

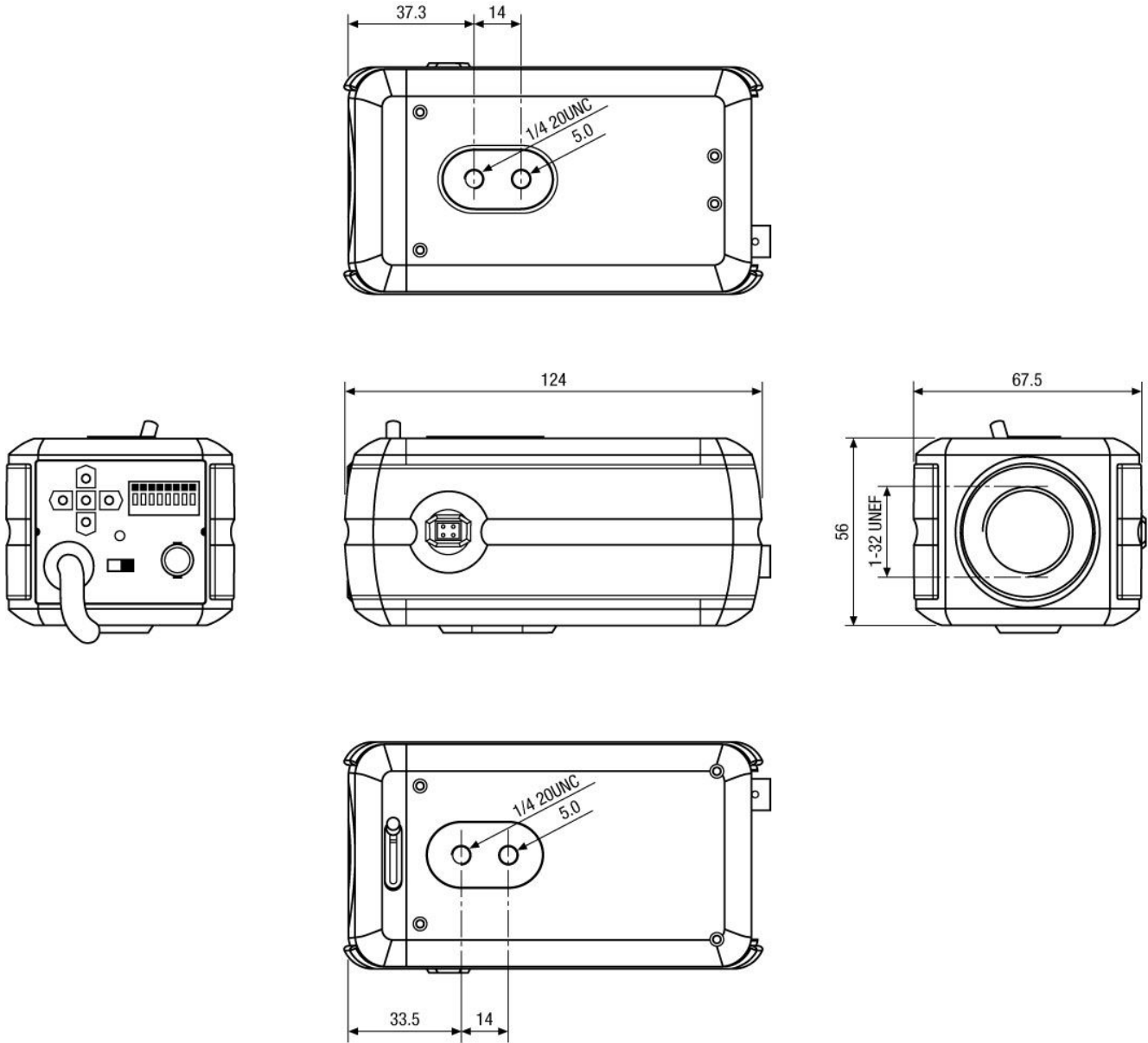
Optional Accessories

Image	Artikel-Nr. / Typ	Description
	WD-23	Wall Mount Bracket with Ball Joint, 1/4" Camera Fixing Screw, Pantone 877
	WD-22	Wall Mount Bracket with Ball Joint, 1/4" Camera Fixing Screw, Beige Grey

Optional Accessories (continued)

Image	Artikel-Nr. / Typ	Description
	WD-13-WA	Ceiling Mount with Ball Joint, 1/4" Camera Fixing Screw, RAL9006
	WD-13/E-WA	Ceiling Mount w. Ball Joint, extendable 1/4" Camera Fixing Screw, RAL9006
	YV5X2.7R4B-SA2L	F1.3/2.7-13.5mm DC Varifocal Lens, No Focus Shift, 1/3" CS Mount
	F03Z2.710DC-NFS	F1.0/3-8mm DC Lens/var. Focal Length with No Focus Shift, 1/3" CS Mount
	F07Z07NDDC-NFS	F1.3/7.5-50mm DC Lens/var. Focal Length with No Focus Shift, 1/3" CS Mount
	A10Z04NDDC-NFS	F1.4/10-40mm DC Lens/var. Focal Length with No Focus Shift, 1/2" C Mount
	G04Z03NDDC-NFS	F1.2/4.5-12.5mm DC Lens/variable Focal Length, No Focus Shift, 1/2" CS Mount

Technical Drawing





Your partner for eneo products:

