



## VKC-1356-1/IR

Article-No.: 92218

1/3" Day&Night Camera w. IR Illumination  
F1.2/3.8-9.5mm, 550TVL, 12VDC/24VAC

### Mainfeatures

1/3" Sony Super HAD CCD Sensor  
Automatic Gain Control (AGC)  
Automatic White Balance (ATW)  
Integrated Varifocal Lens F1.2/3.8-9.5mm  
IR Illumination by 56 integrated 850nm LEDs

Sensitivity of 0.6Lux at F1.2 (Colour)  
Super Digital Noise Reduction (SDNR)  
Low-Speed Shutter Control (DSS)  
DC Iris Control / Removable IR Cut Filter  
Illumination Range: Approx. 50m



### Specifications

System	day&night
Video standard	CCIR/PAL
Signal processing	Digital (DSP)
Sensor size	1/3"
Imager	CCD
Imager	Sony Super HAD Interline Transfer
Active picture elements	440,000, 752(H) x 582(V)
Synchronization	Internal/AC line lock
Signal-to-noise ratio	52dB (AGC Off)
Horizontal resolution	550 TVL
Sensitivity (at 50% video signal)	0.6Lux (colour), 0.34Lux (B&W). Videor measurement result at F1.2
Integration rate	yes
Low speed shutter (DSS)	32fps max. On/Off switchable
Automatic gain control (AGC)	ON/OFF
Digital Noise Reduction (DNR)	yes
White balance (AWB)	Automatic
Backlight compensation	BLC

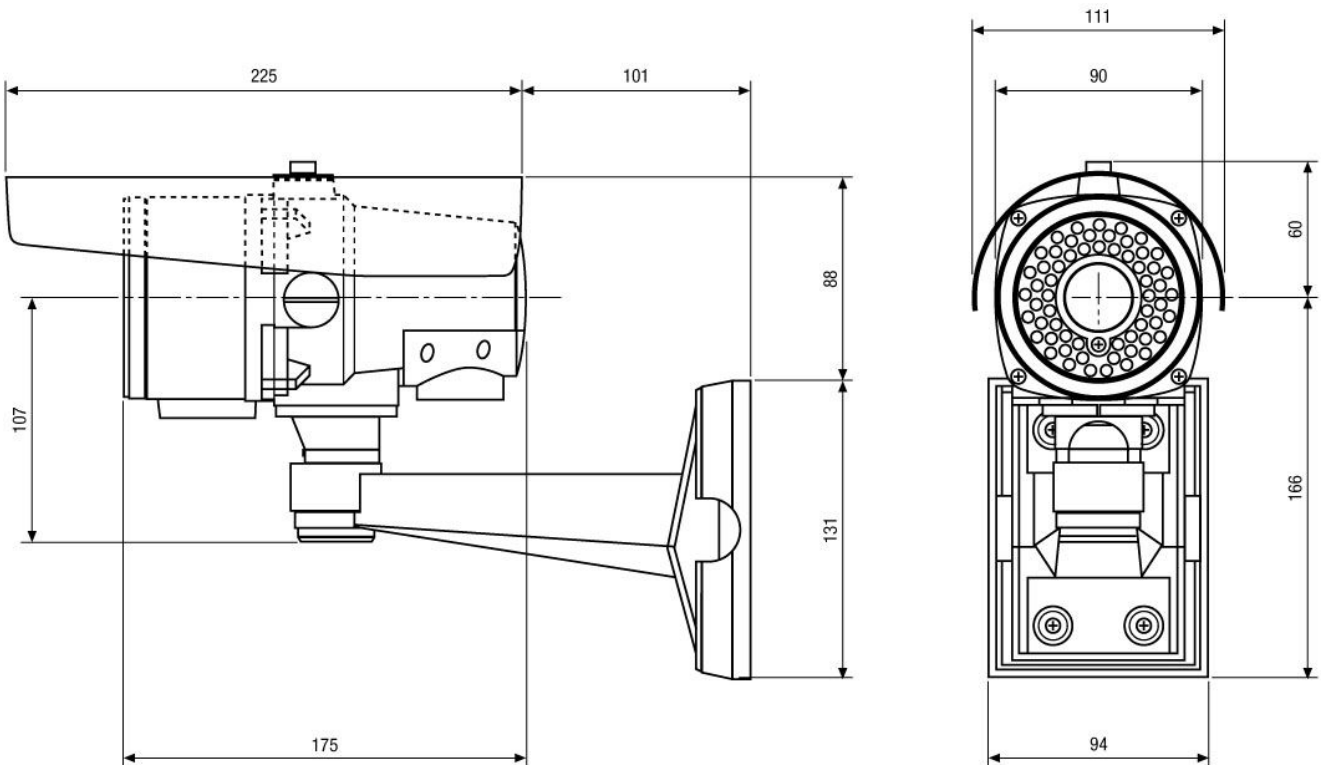
## Specifications (continued)

IR cut filter	switchable
Video outputs (type)	CVBS
Video outputs	1Vp-p, (C)VBS, 75ohms, BNC
Lens type	varifocal
Lens	F1.2/F2.0 ~ 360/3.8 ~ 9.5mm with galvanometer controlled iris
Lens mount	integrated lens
Aspherical technology	yes
Focal length	3,8 mm - 9,5 mm
Horizontal angle of view	74,2° - 30°
Iris control	DC
Filter screw size	not available
Filter screw size	-
Illumination	56 LEDs 850nm, 15°/30° mixed. Integrated light sensor for On/Off switching of the illumination
Illumination range	approx. 50m (at a good light reflection and 40% video signal)
Serial interfaces	no
External connections	Video & Power connection cable (open ends)
Protection rating	IP54
Supply voltage	12VDC, 24VAC
Supply voltage	(10.5~30VDC, 12~28.8VAC
Power consumption	20watts
Temperature range (Operation)	0 ~ +50°C
Housing material	Aluminium
Housing	Indoor
Integrated wall mount	yes
Housing	Aluminium
Hidden cable management	yes
Sunshield	yes
Window heater	yes
Clear Shield	no
Colour (housing)	anthracite
Dimensions (HxWxD)	See drawing
Weight	1.6kg
Parts supplied	Camera, Wall bracket, L-Wrench, Service monitor cable and BNC cable, Manual
Certificates	CE

## Optional Accessories

Image	Artikel-Nr. / Typ	Description
	VT-PS12DC-10	Pluggable AC/DC Adapter 100-240V/12VDC- 2.5A, stab., Cont. & UK Mains plug-ins
	NE-132/AC24V	Power Supply Unit 230VAC/24VAC (1.0A)

## Technical Drawing



Maße/Dimensions: mm



Your partner for eneo products:

