



## VKC-1353-1/IR

Article-No.: 92702

1/3" Camera, Day&Night,  
SBLC, 3.8-9.5mm, 600TVL, IR  
Illumination, 12VDC/24VAC

### Mainfeatures

1/3" Sony Super HAD CCD  
Pivacy zones, mirror function, motion detection  
Digital noise reduction (DNR)  
Automatic white balance (AWB)  
Illumination range: approx. 20m

Removable IR cut filter (ICR)  
Backlight compensation (SBLC)  
Integrated DC varifocal lens F1.2/3.8-9.5mm  
IR illumination by 2 integral 850nm LEDs  
Supply voltage: 12VDC/24VAC

### Specifications

System	day&night
Video standard	CCIR/PAL
Sensor size	1/3"
Imager	CCD
Active picture elements	440,000 (H) 752 x (V) 582 pixels
Synchronization	internal
Signal-to-noise ratio	50dB (AGC OFF)
Gamma correction	0.45
Horizontal resolution	600 TVL
Sensitivity (at 50% video signal)	0,1 Lux
Sensitivity (at 50% video signal)	(colour), 0.05Lux (B&W) at F1.2 (measured)
Automatic electronic shutter (ESC)	1/50 - 1/120,000sec. (ON/OFF switchable)
Manual electronic shutter (MES)	1/50 - 1/120,000sec.
Low speed shutter	no
Automatic gain control (AGC)	ON/OFF, 0-20dB adjustable
Digital Noise Reduction (DNR)	yes
Flickerless function	ON/OFF switchable




## Specifications (continued)

Mirror function	horizontal
White balance	automatic, one push, manual
Backlight compensation	SBLC
Wide Dynamic Range (WDR)	no
Aperture Correction (APC)	horizontal, vertical
IR cut filter	switchable
Video outputs	composite (CVBS)
Lens type	varifocal
Focal length	3,8 mm - 9,5 mm
Aperture range (F)	F1.2-F270
e-PTZ support	no
Digital zoom	no
Horizontal angle of view	64,6° - 28,4°
MOD (Minimum object distance)	0,15 m
Illumination	infrared
Illumination	2x LEDs 850nm , the LED illumination is switched ON/OFF and adjusted with the intelligent light regulation
Illumination range	approx. 20m (at a good light reflexion and 40% Videosignal)
Menu languages	English
OSD function control	iris, shutter control, white balance, AGC, day&night, BLC, digital noise reduction (DNR), sharpness, mirror horizontal, motion detection, privacy zones
Text display	8 character labels, ON/OFF switchable
Activity detection	yes
Motion detector	4 zones, ON/OFF switchable
Privacy zones masking	4 areas, masking, X/Y start/end
Serial interfaces	RS-485
Serial interfaces protocols	Pelco D, CNB
External adjustments	menu, zoom and focus
External connections	video (BNC), voltage input, remote control input, 5-pin
Mounting	wall mount
Temperature range (operation)	-10°C ~ +40°C
Housing material	metal, plastic
Housing	indoor
Integrated wall mount	no
Hidden cable management	no
Sunshield	no
Window heater	no
Colour (housing)	silver grey
Vandalism resistant	no
Protection rating	n/a
Alarm inputs	no
Alarm outputs	1
Supply voltage	12VDC, 24VAC
Supply voltage	(+/- 10%)
Power consumption	4.8W max.
Dimensions (HxWxD)	see drawing
Weight	285g

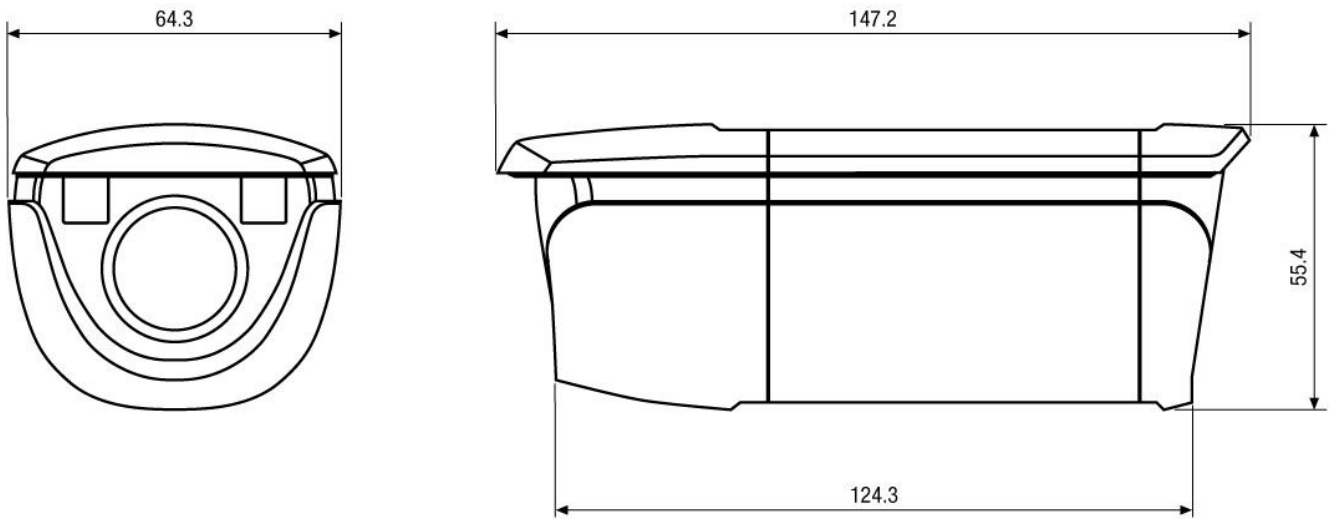
## Specifications (continued)

Parts supplied	camera, manual, 5-pin adapter cable with open ends
Certificates	CE

## Optional Accessories

Image	Artikel-Nr. / Typ	Description
	WD-23	Wall Mount Bracket with Ball Joint, 1/4" Camera Fixing Screw, Pantone 877
	VT-PS12DC-9	Plug-in Power Supply Unit 100-240VAC 12VDC (1.0Amp), Regulated, w. open Ends
	VTL-WWD	Weatherproof Housing (300mm) RAL9002, Wallbracket, Thermostat, Heater 12-24V

## Technical Drawing



Maße/Dimensions: mm

Your partner for eneo products:

