

Video Security

Cameras | Day/Night Cameras

VKC-1351/IR-6

1/3" Colour/BW Camera, F2.0/6mm Lens,
850nm, LED Illumination, 520TVL

Art-No. 92114



Features

Weatherproof CCD Camera with IR Illumination
1/3" Sony SS-HQ1 CCD Sensor
Integrated 6.0mm Lens
Sensitivity of 0.3Lux (Colour)
Approx. 20m Illumination Range, 850nm LEDs
B&W Display at Night Time and IR LED Illumination

Automatic Shutter Control (ESC)
Automatic White Balance (AWB)
Aluminium Housing with Sunshield
Protection Rating IP67
Supply Voltage: 12VDC

Specifications

System	day&night
Video standard	CCIR/PAL
Imager	CCD, Sony SS-HQ1 Interline Transfer
Sensor size	1/3"
Active picture elements	Approx. 440,000 (H) 752 x (V) 582 pixels
Signal processing	Digital (DSP)
Synchronization	Internal
Signal-to-noise ratio	45db (AGC Off)
Gamma correction	0.45
Sensitivity (at 50% video signal)	0,3Lux
High-speed shutter (ESC)	1/50 ~ 1/100,000sec.
Integration rate	no
Automatic gain control (AGC)	Yes
Backlight compensation	no
Aperture Correction (APC)	Horizontal and vertical
IR cut filter	no
Day/Night switching	Automatic switch to b&w signal output at totally dark environment conditions

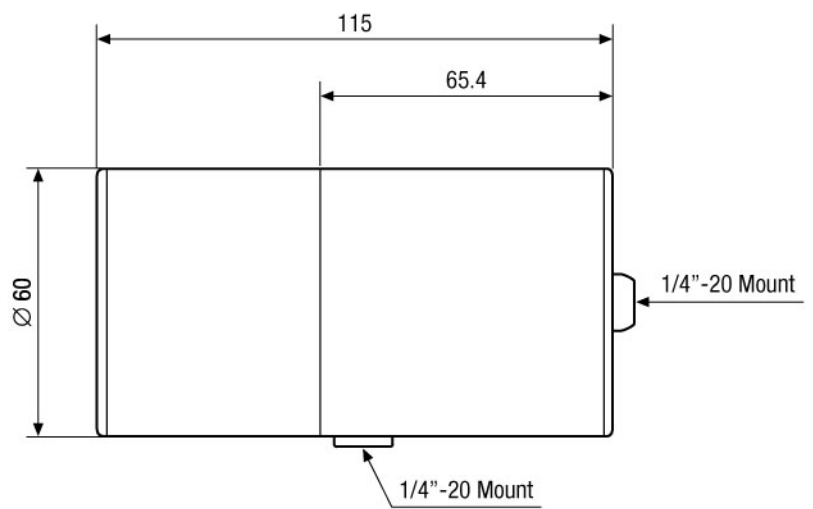
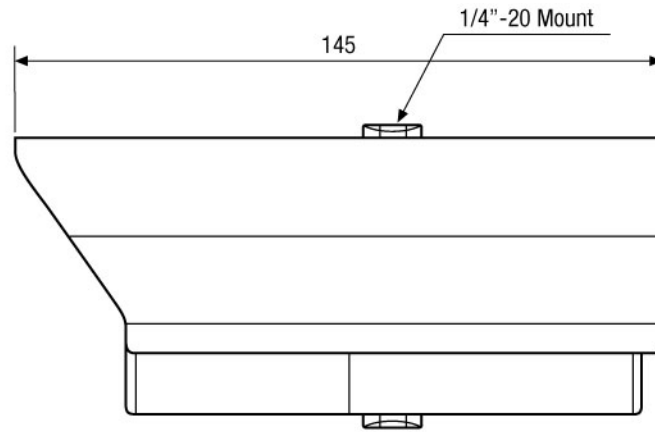
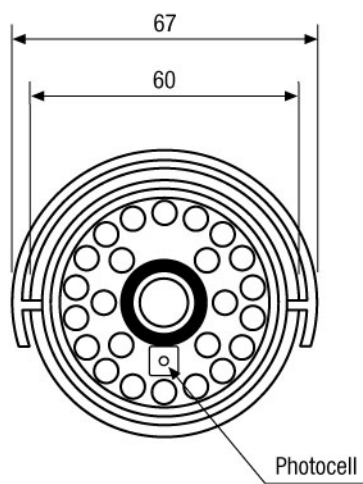
VKC-1351/IR-6

(Specifications continued)

Mount	n/a
Lens	F2.0/6mm (fixed iris)
Application range	security
Nominal format size	1/3"
Aspherical technology	no
Focal length	6mm
Horizontal angle of view	44°
Iris control	no
Lens mount	integrated lens
Illumination	24 LEDs 850nm. Integrated light sensor for On/Off switching of the illumination
Illumination range	20m (at a good light reflexion and 40% Videosignal)
External connections	Video (BNC), 12 VDC (DC socket)
Video outputs (type)	CVBS, VBS
Video outputs	1Vp-p, (C)VBS, 75ohms, BNC
Serial interfaces	no
Camera mount	1/4" - 20 UNC thread on top and bottom side
Supply voltage	12VDC
Power consumption	approx. 7watts
Temperature range (Operation)	-10° ~ +50°C
Humidity range	10% ~ 80%
Protection rating	IP67
Housing	Aluminium
Window screen	Coated plastic for outdoor use. Clear window section for the lens
Sunshield	Included
Colour	Silver grey
Dimensions (LxD)	See drawing
Weight	440g

Accessories

70447 / VT-PS12DC-5	Plug-in Power Supply Unit 100-240VAC 12VDC (1.0Amp), Regulated, with DC Plug
77773 / VT-PS12DCDT1	PSU 12VDC/1.0A, Regulated, Desktop Version, 1.8m Cables each w. open ends



Maße/Dimensions: mm

VIDEOR TECHNICAL E. Hartig GmbH
 Carl-Zeiss-Straße 8 · 63322 Rödermark · Germany
 Telefon +49 (0) 60 74/8 88-0 · Telefax +49 (0) 60 74/8 88-100
 info@videortechnical.com · www.videortechnical.com

