

Video Security



VKC-1334/W3

1/3" Day&Night WDR Camera with Removable IR CF, F1.3/3.8-9.5mm, 480TVL, 12VDC

Art-No. 96069



Features

Weatherproof Camera with Swivel Head Bracket
1/3" Progressive Scan CCD Day&Night Camera
Wide Dynamic Range (WDR)
Resolution of 480 Horizontal Lines (at Colour)
Sensitivity of 0.001Lux/F1.2 (160x DSS/B&W)
On-screen Menu Control / Camera Titel Display

Removable IR Cut Filter
Automatic Gain Control (AGC)
High and Low Speed Shutter Control (ESC/DSS)
Automatic White Balance (ATW/AWB)
3x Digital Zoom / 4 Privacy Zones adjustable
Hidden Cable Routing / Protection Rating: IP67

Specifications

System	CCIR/PAL
Imager	1/3" Sony Progressive scan CCD
Active picture elements	Approx. 470,000; (H) 800 x (V) 582 Pixels
Synchronization	Internal
Signal-to-noise ratio	50dB (AGC OFF)
Horizontal resolution	Approx. 500 TV lines (colour)
Sensitivity at 50% video signal	0.25Lux at colour; 0.15Lux at b&w, F1.2 each and position AGC High. DSS 160x: 0.0016Lux at colour; 0.001Lux at b&w (VT measurement result)
OSD function control	Main menu: Camera-ID no., Camera title/text, Colour/B&W switching, Sharpness, Mirror function, Positive/Negative switching. AWB: White balance red/blue, automatic. AE: Brightness, Flickerless, High speed shutter, Low speed shutter (DSS), AGC. Day&Night modes (Auto, Day, Night, external), IR Filter (Brightness level, delay). WDR: Mode, BLC. Privacy Zones: Area, Masking, X/Y start/end. Display: OSD, Function display ON/OFF. Initial: Camera settings ON/OFF
Automatic shutter control (AES)	1/50 ~ 1/10,000Sec.
Low speed shutter (DSS)	DSS: OFF / 2 ~ 20Fps / 40Fps / 80Fps / 160Fps mode

VKC-1334/W3

(Specifications continued)

Wide dynamic range	Automatic, ON/OFF switchable
Automatic gain control (AGC)	OFF / Low / Mid / High selectable
White balance (AWB)	Automatic/Manual/Hold
Privacy Zones	4 Areas selectable
IR cut filter	Motorized, switchable filter. Automatic function (CDS controlled) or manual. In removed filter position, the colour signal will be switched OFF
Internal adjustments	-
Serial port	RS-485 (Pelco D protocol or eneo control S/W, interface protocol: upon request)
Video output	1Vp-p, CVBS, 75ohms
Lens	F1.2/3.8 ~ 9.5mm with galvanometer driven iris
Horizontal angle of view	74.2° ~ 30°
Minimum object distance (MOD)	0.15m (at f3.8mm)
Digital Zoom	3x
Cable connection	Wiring for video, voltage supply, RS-485, accessible from outside (1.5m long, Video: BNC jack; 12V input, RS-485: open ends)
Hidden Cable Management Support	Fully Hidden Cable Routing
Housing	Aluminium with clear polycarbonate window
Window screen	PC (Lexan)
Colour	Pantone 7541
Kind of mounting	Integrated wall mount with ball joint
Mounting	Wall or Ceiling*)
Supply voltage	12VDC (9 ~ 15VDC), 12VDC +/-0,5V recommended
Power consumption	3.6watts max.
Temperature range	-10°C ~ +50°C
Dimensions (HxWxD)	See drawing
Weight	Approx. 700g

Accessories

77779 / VT-PS12DC-UK	Power Supply Unit w. UK Mains plug-in, 100-240VAC/12VDC-1.0A, Regul., open Ends
77772 / VT-PS12DCDT	PSU 12VDC/0,5A, Regulated, Desktop Version, 1.8m Cable each w. open ends
70447 / VT-PS12DC-5	Plug-in Power Supply Unit 100-240VAC 12VDC (1.0Amp), Regulated, with DC Plug

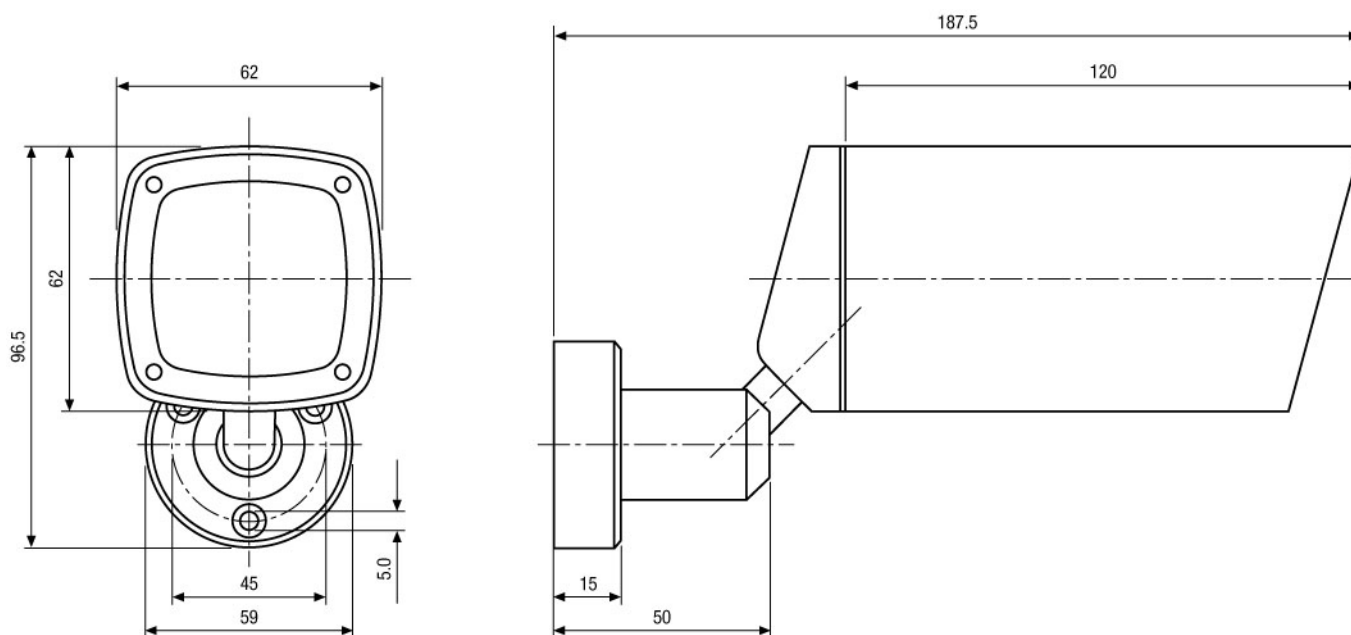
Product Information

Most CCD Colour cameras, even of high quality, show very poor performance when they are working under strong backlight conditions. However, by using of Double Speed Sony CCD (Progressive Scan) and SS-2 chip set, as in the VKC-1334/VAR49, this problem will be solved.

The Double Speed CCD reads both bright and dark areas separately at the same time and after that the different exposures will be combined to one image by the Wide Dynamic chip CX3151. That's why, even though there it is very bright light or spotlights on the object, the picture will remain very sharp without any blooming and smear.

Furthermore true Day and Night function, using a removable IR cut filter and a day/night lens with no focus shift, a real 24hrs. monitoring with clear image both at day and night can be realized, if the camera was optimized according to the application.

*) For ceiling installation please contact Videor Technical in advance. They will modify the camera before shipping.



Maße/Dimensions: mm

VIDEOR TECHNICAL E. Hartig GmbH
 Carl-Zeiss-Straße 8 · 63322 Rödermark · Germany
 Telefon +49 (0) 60 74/8 88-0 · Telefax +49 (0) 60 74/8 88-100
 info@videortechnical.com · www.videortechnical.com

