

# Video Security

Dome Cameras | eneo Vandalism-Proof Fix Domes

## VKC-1327/WDDG1

1/3" Day/Night Dome Camera, In-ceiling  
F1.2/3.8-9.5mm, Removable IR CF, 480TVL

Art-No. 91955



## Features

For Wall and In-ceiling Mount  
Vandal and Tamper-Resistant  
Clear Lexan Bubble with Inner Liner  
1/3" Day/Night CCD Board Camera with Varifocal Lens  
Built-in Lens F1.2/3.8-9.5mm with DC Iris Control  
Resolution of 480 Horizontal Lines

Removable IR Cut Filter  
Automatic Shutter Control (AES)  
Back Light Compensation (BLC)  
For Easy Indoor Installation  
Manual 3-axis Camera Adjustment  
Certified according to BGV Kassen

## Specifications

|                                   |   |
|-----------------------------------|---|
| Video standard                    | CCIR/PAL  |
| System                            | day&night   |
| Sensor size                       | 1/3"  |
| Imager                            | CCD, Sony Super HAD Interline Transfer CCD  |
| Active picture elements           | approx. 440,000, 752(H) x 582(V)  |
| Synchronization                   | Internal/Line-lock (automatic detection depend on power source)                                   |
| Signal-to-noise ratio             | 48dB  |
| Sensitivity (at 50% video signal) | 0,5Lux, (0.32Lux), Colour, 0.24Lux (0.15Lux), B&W at F1.2 each (AGC-Turbo). VT measurement result |
| Horizontal resolution             | 480TVL  |
| Rotation range                    | manual: 360°  |
| Automatic gain control (AGC)      | Normal/Turbo (+6dB)   |
| Gamma correction                  | approx. 0.45  |
| Automatic shutter control (AES)   | 1/50 ~ 1/100,000sec.  |
| Integration rate                  | no  |
| White balance (ATW)               | 2000 ~ 8000K, Automatic   |
| Backlight compensation            | BLC, On/Off switchable  |

(Specifications continued)

|                                      |   |
|--------------------------------------|---|
| <b>IR cut filter</b>                 | yes   |
| <b>Video outputs (type)</b>          | CVBS, VBS   |
| <b>Video outputs</b>                 | 1Vp-p, (C)VBS, 75ohms, BNC  |
| <b>Lens mount</b>                    | integrated lens   |
| <b>Lens type</b>                     | varifocal   |
| <b>Lens</b>                          | F1.2/F2.0~360 / 3.8~9.5mm with galvanometer controlled iris   |
| <b>Application range</b>             | security  |
| <b>Nominal format size</b>           | 1/3"  |
| <b>Aspherical technology</b>         | yes   |
| <b>Focal length</b>                  | 3,8-9,5mm   |
| <b>Horizontal angle of view</b>      | 74,2-30°  |
| <b>Focus range</b>                   | 0.15m ~ ?   |
| <b>Iris control</b>                  | DC  |
| <b>Mount</b>                         | n/a   |
| <b>Internal adjustments</b>          | 8 Dip switches: Internal/Line-lock synchronization, ELC/ALC (manual/motorized Iris), BLC ON/OFF, AGC Normal/Turbo, Flickerless ON/OFF, Scharpness Normal/Scharp, Day/Night mode Enabled/Disabled, IR mode ON/OFF (Iteration reduction between day and night position). 2 Potentiometers: Level for DC controlled iris, V. phase adjustment (220° min. adjustable) |
| <b>Cable connection</b>              | Video (BNC), Power (2-pin screw terminal)   |
| <b>Cable entry</b>                   | 2x 8mm holes with rubber glands   |
| <b>Serial interfaces</b>             | no  |
| <b>Temperature range (Operation)</b> | -10° ~ +50°C  |
| <b>Heater</b>                        | no  |
| <b>Protection rating</b>             | IP65, at installation according to the manual   |
| <b>Supply voltage</b>                | 12VDC, 24VAC, (10.5 ~ 30VDC, 12 ~ 29VAC)  |
| <b>Power consumption</b>             | approx. 3.0watts  |
| <b>Vandalism resistant</b>           | yes   |
| <b>Bubble</b>                        | Vandal resistant 3mm clear polycarbonate bubble with inner liner  |
| <b>Colour (bubble)</b>               | clear   |
| <b>Camera fixing</b>                 | board   |
| <b>Mounting</b>                      | wall mount, in-ceiling mount  |
| <b>Housing</b>                       | indoor housing, Die-cast aluminium with clear polycarbonate bubble  |
| <b>Housing material</b>              | aluminium   |
| <b>Colour (housing)</b>              | Pantone Cool Gray 1C  |
| <b>Dimensions (HxWxD)</b>            | See drawing   |
| <b>Weight</b>                        | approx. 750g  |
| <b>Parts supplied</b>                | Mounting kit, Torx wrench key   |

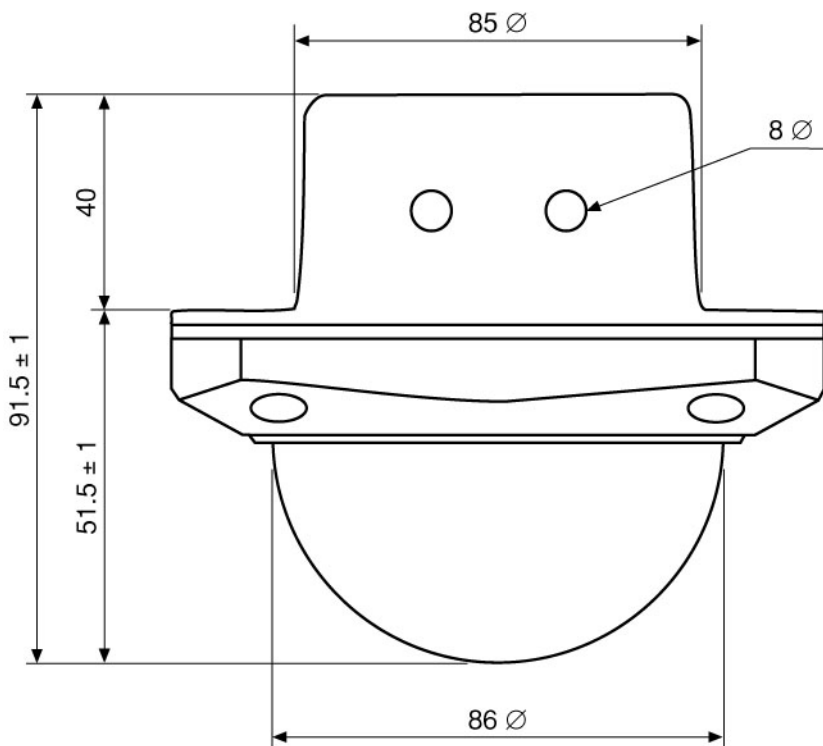
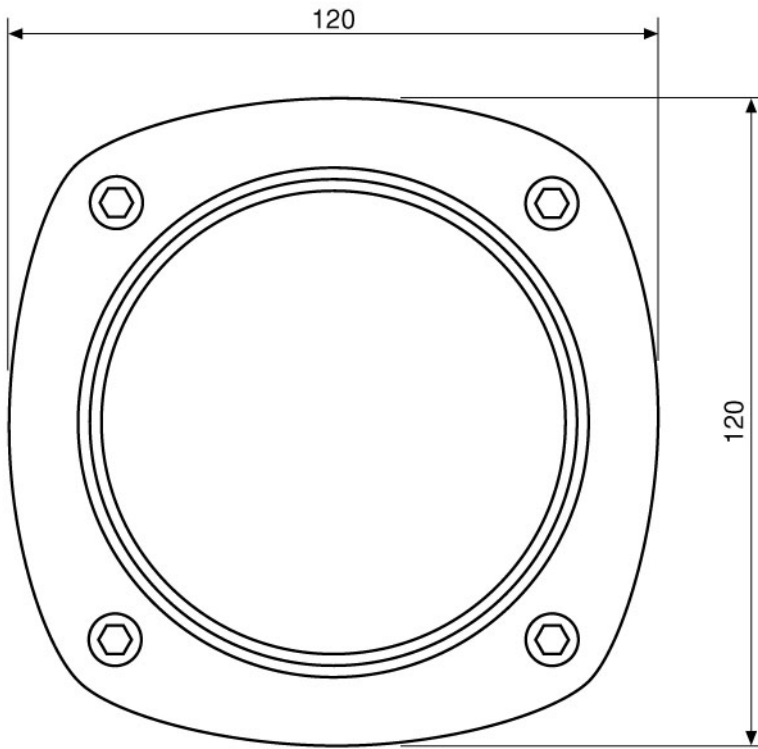
Accessories

70448 / VT-PS12DC-6

Plug-in Power Supply Unit 100-240VAC 12VDC (1.0Amp),  
Regulated, w. open Ends

77773 / VT-PS12DCDT1

PSU 12VDC/1.0A, Regulated, Desktop Version, 1.8m  
Cables each w. open ends



Maße/Dimensions: mm

VIDEOR TECHNICAL E. Hartig GmbH  
 Carl-Zeiss-Straße 8 · 63322 Rödermark · Germany  
 Telefon +49 (0) 60 74/8 88-0 · Telefax +49 (0) 60 74/8 88-100  
 info@videortechnical.com · www.videortechnical.com