

# Video Security



## VKC-1326/WDDG1

1/3" Day/Night Dome Camera, In-ceiling  
Mount, F1.2/3.8-9.5mm Lens, 12VDC,480TVL

Art-No. 91949



## Features

For Wall and In-ceiling Mount  
Vandal and Tamper-Resistant  
Clear Lexan Bubble with Inner Liner  
1/3" Day/Night CCD Board Camera with Varifocal Lens  
Built-in Lens F1.2/3.8-9.5mm with DC Iris Control  
Sensitivity Enhancement: 16x/32x (DSS Function)

High-Speed und Low-Speed Shutter Control  
Digital Signal Processing (DSP)  
Back Light Compensation (BLC)  
Automatic Tracking White Balance (ATW)  
Manual 3-axis Camera Adjustment  
For Easy Indoor Installation

## Specifications

System	CCIR/PAL
Imager	1/3" Sony Super HAD Interline Transfer CCD
Active picture elements	Ca. 440.000, (H) 752 x (V) 582 Pixels
Horizontal resolution	480 TV lines
Sensitivity at 50% video signal	0.005Lux at F1.2 (with 16x integration rate), VT measurement result
Integration rate	16x/32x, selectable
Signal-to-noise ratio	48dB
Gamma correction	Approx. 0.45
Synchronization	Internal
Electronic shutter	1/4 ~ 1/100,000sec.
Automatic gain control (AGC)	Built-in
Backlight compensation (BLC)	Center weighted
White balance (ATW)	2000 ~ 8000K, Automatic
Internal adjustments	Level for DC controlled iris
Lens	F1.2/F2.0~360 / 3.8~9.5mm with galvanometer controlled iris
Focus range	0.15m ~ ∞

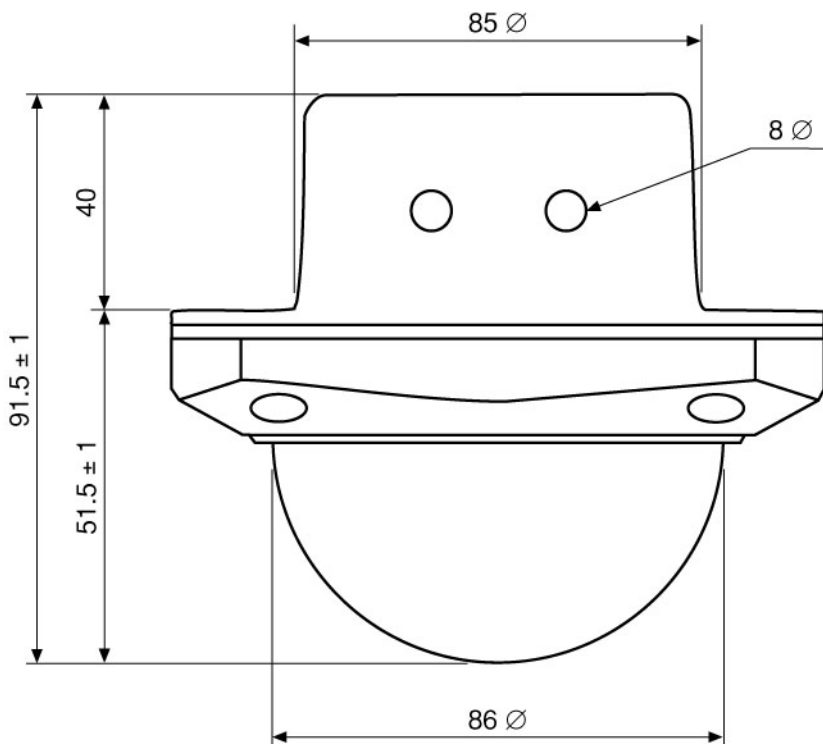
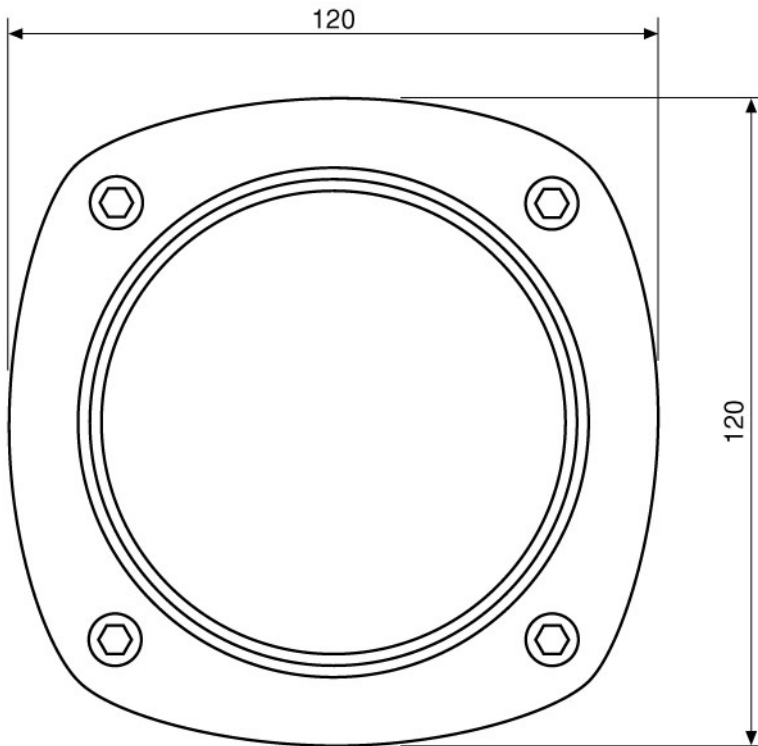
## VKC-1326/WDDG1

(Specifications continued)

<b>Horizontal angle of view</b>	74.2° ~ 30°
<b>Video output</b>	1Vp-p, CVBS, 75ohms
<b>Supply voltage</b>	12VDC (9~18VDC)
<b>Power consumption</b>	Approx. 3.0watts
<b>Housing</b>	Die-cast aluminium with clear polycarbonate bubble
<b>Bubble</b>	Vandal resistant 3mm clear polycarbonate bubble with inner liner
<b>Colour</b>	Pantone Coolgray 1C
<b>Cable entry</b>	2x 8mm holes with rubber glands
<b>Protection rating</b>	IP65 (at installation according to the manual)
<b>Temperature range</b>	-10°C ~ +50°C
<b>Cable connection</b>	Video (BNC), 12VDC (DC jack)
<b>Dimensions (HxWxD)</b>	See drawing
<b>Weight</b>	Approx. 850g
<b>Parts supplied</b>	Mounting kit, Torx wrench key
<b>Remarks</b>	The camera is not equipped with a removable IR cut filter (More details upon request)

## Accessories

<b>77779 / VT-PS12DC-UK</b>	Power Supply Unit w. UK Mains plug-in, 100-240VAC/12VDC-1.0A, Regul., open Ends
<b>77772 / VT-PS12DCDT</b>	PSU 12VDC/0,5A, Regulated, Desktop Version, 1.8m Cable each w. open ends
<b>70447 / VT-PS12DC-5</b>	Plug-in Power Supply Unit 100-240VAC 12VDC (1.0Amp), Regulated, with DC Plug



Maße/Dimensions: mm

VIDEOR TECHNICAL E. Hartig GmbH  
 Carl-Zeiss-Straße 8 · 63322 Rödermark · Germany  
 Telefon +49 (0) 60 74/8 88-0 · Telefax +49 (0) 60 74/8 88-100  
 info@videortechnical.com · www.videortechnical.com