

# Video Security



## VKC-1326/W3

1/3" Day/Night Camera w. F1.3/3.8-9.5mm Lens, 12VDC, 480TVL

Art-No. 96058



## Features

Weatherproof Camera with Swivel Head Bracket  
1/3" Day/Night CCD Camera with Varifocal Lens  
Built-in Lens F1.3/3.8-9.5mm with DC Iris Control  
Sensitivity: 0.005Lux at F1.2 (DSS ON)  
Resolution of 480 Horizontal Lines  
Sensitivity Enhancement: 16x/32x (DSS Function)

Switchable Low Speed Shutter (High/Low)  
Back Light Compensation (BLC)  
Automatic White Balance (ATW)  
Supply Voltage: 12VDC  
Fully Hidden Cable Routing  
Protection Rating: IP67

## Specifications

System	CCIR/PAL
Imager	1/3" Sony Super HAD Interline Transfer CCD
Active picture elements	Ca. 440.000, (H) 752 x (V) 582 Pixels
Synchronization	Internal
Signal-to-noise ratio	48dB
Gamma correction	Approx. 0.45
Horizontal resolution	480 TV lines
Sensitivity at 50% video signal	0.005Lux at F1.2 (VT measurement result at 16x integration rate)
Electronic shutter	1/4 ~ 1/100,000Sec.
Low speed shutter	1/2 ~ 1/50Sec. (DSS)
Integration rate	16x/32x, selectable
Automatic gain control (AGC)	28dB max. (AGC OFF)
White balance (ATW)	2500 ~ 8000K, Automatic tracking
Backlight compensation (BLC)	Center weighted
IR cut filter	Low-Pass Filter
Video output	1Vp-p, CVBS, 75ohms

## VKC-1326/W3

(Specifications continued)

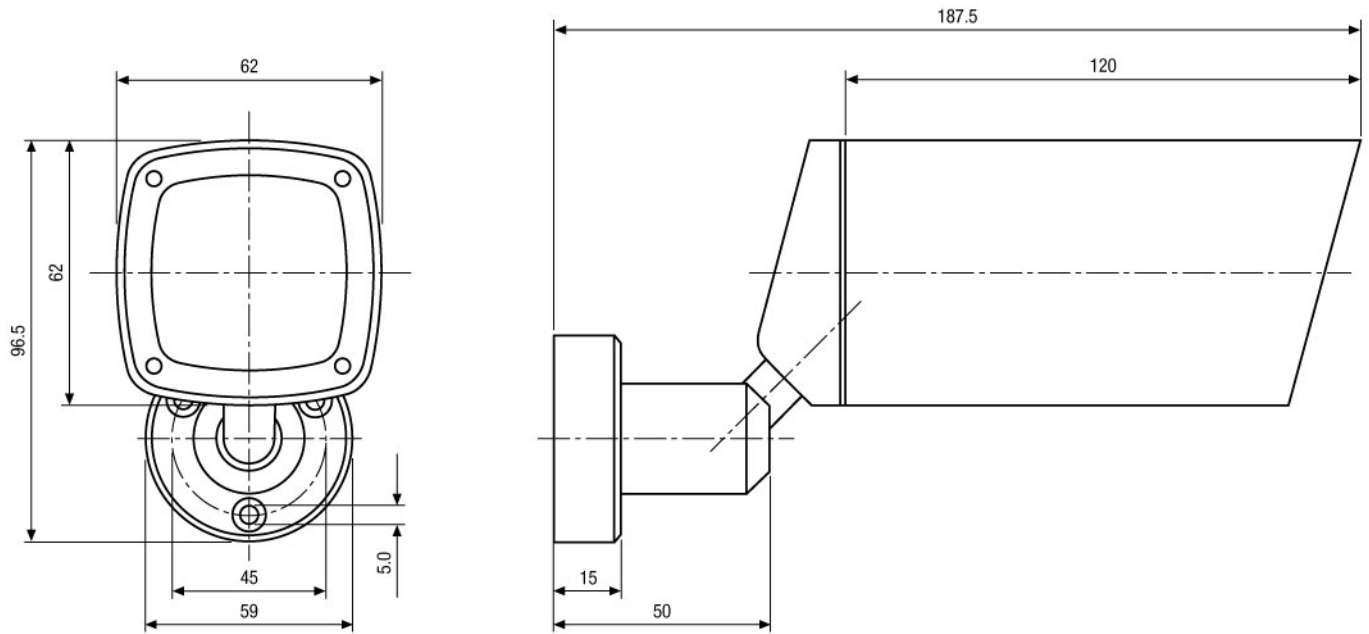
<b>Lens</b>	F1.2/F2.0 ~ 360/3.8 ~ 9.5mm with galvanometer driven iris
<b>Focus range</b>	0.15m ~ ∞
<b>Horizontal angle of view</b>	74.2° ~ 30°
<b>Cable connection</b>	Wiring for video and voltage supply made, accessible from outside (1.5m long, Video: BNC jack; 12/24V input: for DC plug 2.1/5.5mm)
<b>Hidden Cable Management Support</b>	Fully Hidden Cable Routing
<b>Housing</b>	Aluminium with clear polycarbonate window
<b>Window screen</b>	PC (Lexan)
<b>Colour</b>	Pantone 7541
<b>Kind of mounting</b>	Integrated wall mount with ball joint
<b>Mounting</b>	Wall or Ceiling*)
<b>Supply voltage</b>	12VDC (9 ~ 15VDC), 12VDC +/-0.5V recommended
<b>Power consumption</b>	Approx. 3.0watts
<b>Temperature range</b>	-20°C ~ +50°C (Camera modul)
<b>Dimensions (HxWxD)</b>	See drawing
<b>Weight</b>	Approx. 680g
<b>Remarks</b>	The camera is not equipped with a removable IR cut filter (More details upon request)

## Accessories

<b>77779 / VT-PS12DC-UK</b>	Power Supply Unit w. UK Mains plug-in, 100-240VAC/12VDC-1.0A, Regul., open Ends
<b>77772 / VT-PS12DCDT</b>	PSU 12VDC/0,5A, Regulated, Desktop Version, 1.8m Cable each w. open ends
<b>70447 / VT-PS12DC-5</b>	Plug-in Power Supply Unit 100-240VAC 12VDC (1.0Amp), Regulated, with DC Plug

## Product Information

\*) For ceiling installation please contact Videor Technical in advance. They will modify the camera before shipping.



Maße/Dimensions: mm

VIDEOR TECHNICAL E. Hartig GmbH  
 Carl-Zeiss-Straße 8 · 63322 Rödermark · Germany  
 Telefon +49 (0) 60 74/8 88-0 · Telefax +49 (0) 60 74/8 88-100  
 info@videortechnical.com · www.videortechnical.com

