

Video Security

Cameras | Day/Night Cameras

VKC-1317/IR-3.8

1/3" D/N Camera, F2.0/3.8mm Lens, 850nm LED Illumination, 380TVVL

Art-No. 91958



Features

Weatherproof CCD Colour/B&W Camera

1/3" Super HAD CCD Sensor

Integrated 3.8mm Lens

Resolution of 380 Horizontal Lines

12x of Integrated 850nm IR LED's

B&W Display at Night Time and IR LED Illumination

Automatic Shutter Control (AES)

Automatic White Balance (AWB)

Supply Voltage: 12 VDC

Aluminium Housing with Sunshield

Mounting Stand with Swivel Head

Certified according to BGV Kassen

Specifications

System	CCIR/PAL
Imager	1/3" Sony Super HAD Interline Transfer CCD
Active picture elements	Approx. 290,000 (H) 500 x (V) 582
Signal processing	Digital (DSP)
Synchronization	Internal
Sensitivity at 50% video signal	0.7Lux at F2.0 / 0.25Lux at F1.2 (VT measurement result), 0Lux at IR illumination
Horizontal resolution	380 TV lines
Kind of mounting	1/4"-20 thread on rear side
Day/Night switching	Automatic switch to b&w signal output at totally dark environment conditions
Window screen	Coated plastic for outdoor use. Clear window section for the lens
Illumination	12x LED's. Due to an integrated light sensor the light intensity will be controlled stepless from min. to max., depending from environmental illumination conditions
Illumination range	Approx. 10m
Sunshield	Included
Dimensions (LxD)	See drawing

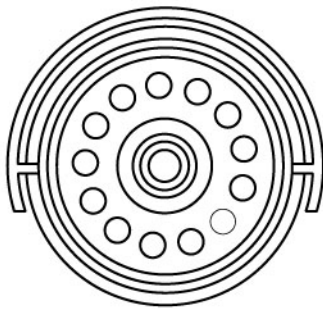
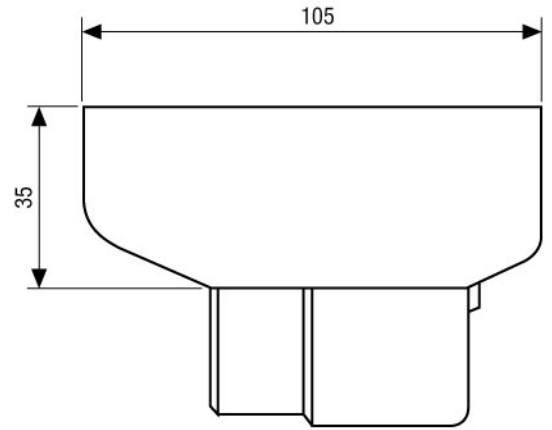
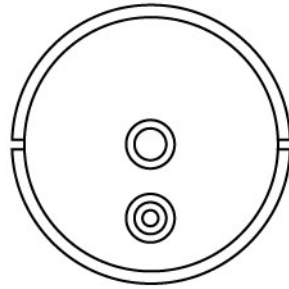
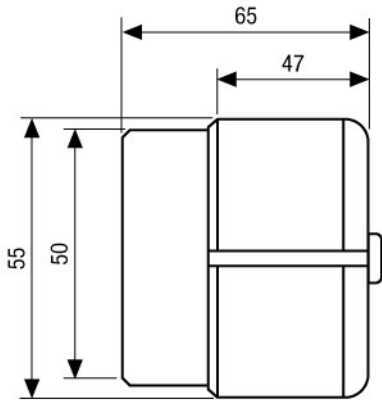
VKC-1317/IR-3.8

(Specifications continued)

Automatic shutter control (AES)	1/50 to 1/100.000sec.
Gamma correction	0.45
Automatic gain control (AGC)	Yes
Signal-to-noise ratio	50db (AGC OFF)
Aperture Correction (APC)	Horizontal and vertical
Integrated lens	F2.0/3.8mm
Horizontal angle of view	65°
Video output	1Vp-p, CVBS, 75ohms, BNC
External connections	Video (BNC), 12 VDC (DC socket)
Supply voltage	12VDC (+/- 10%)
Power consumption	Approx. 2.8watts
Temperature range	-10°C to +50°C
Housing	Aluminium
Colour	Silvergray
Protection rating	IP67
Weight	Approx. 310g (incl. stand)

Accessories

77779 / VT-PS12DC-UK	Power Supply Unit w. UK Mains plug-in, 100-240VAC/12VDC-1.0A, Regul., open Ends
70447 / VT-PS12DC-5	Plug-in Power Supply Unit 100-240VAC 12VDC (1.0Amp), Regulated, with DC Plug
40061 / H0820M	F2.0/8mm Board Camera Lens, 1/3" M12X0.5



Maße/Dimensions: mm