



CANDID Camera Packs

FDP-No.: 96029

VK-133/W2

- B&W Board Camera VK-133 in Weatherproof Housing
- 1/3" CCD Sensor Chip
- Resolution of 420 Horizontal Lines
- Electronic Shutter Control (ESC)
- High Sensitivity
- Integrated Lens: F2.0/3.6 mm
- Supply Voltage: 12 VDC
- Compact Version
- Index of Protection: IP66/67
- Protected Pan and Tilt Fixing Mechanism



Specifications:

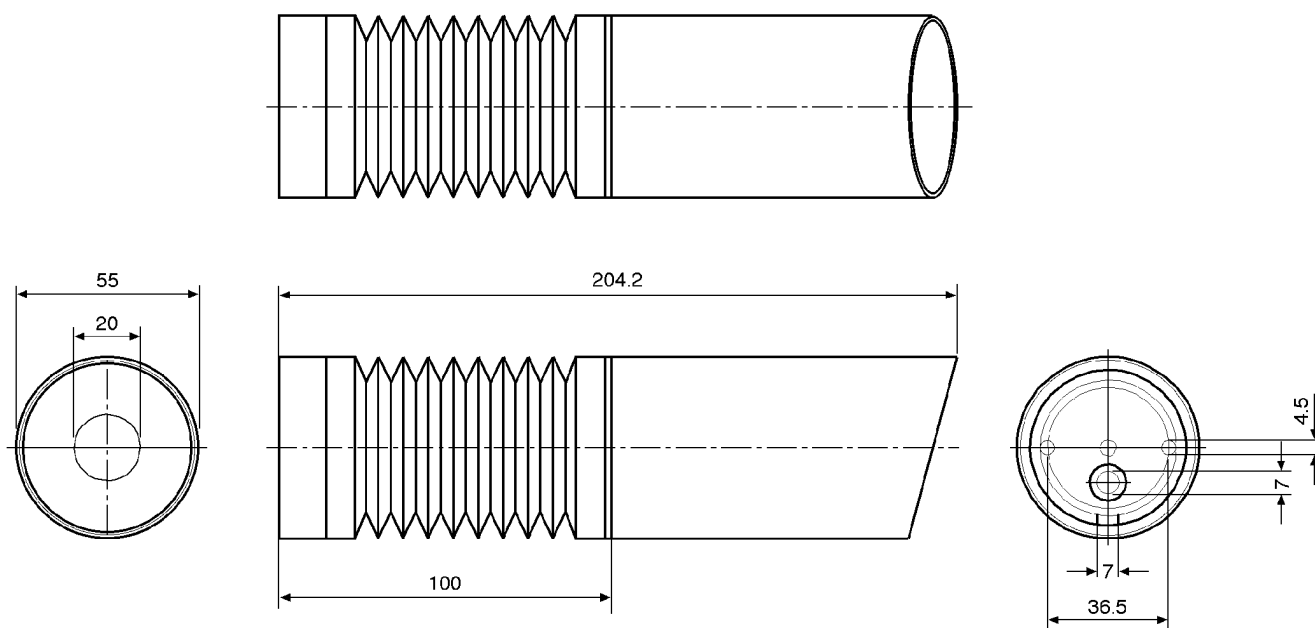
Camera:

Imager	1/3" Interline transfer CCD
System	CCIR
Synchronization	Internal
Sensitivity at 50% video signal	1.6 Lux at F2.0 (VT measurement result)
Horizontal resolution	380 TV lines
Active picture elements	Approx. 290,000 (H) 500 x (V) 582
Signal-to-noise ratio	>50 db (AGC OFF)
Linear shutter (ESC)	1/50 to 1/100,000 sec.
Video output	1 Vp-p, CVS, 75 Ohm
Gamma correction	0.45
Automatic gain control (AGC)	Yes
Aperture Correction	Yes (horizontal)
Integrated lens	F2.0/3.8 mm w./o. iris
Horizontal angle of view	72°
Weatherproof housing:	
Cable entry	Wiring for video and voltage supply made, accessible from outside
Cable gland size	PG 7

VK-133/W2

Heater/sunshield	No
Housing	Aluminium with glass screen
Colour	Anodized aluminium (CO)
Mounting	Turn and tiltable with swivel head, protected by a folding tube
Supply voltage	12 VDC +/-10 %
Power consumption	Approx. 1.5 W
Index of Protection	IP 67
Temperature range	-10°C to +50°C
Dimensions (HxWxD)	See drawing
Weight	480 g
Parts supplied	Bag of screws
Option	Lens elements with other focal length

Accessories	
EDP No. / Type	Description
70442 VT-PS12DC-3	Power supply unit 230 VAC/12 VDC stabilized
77779 VT-PS12DC/UK	Power supply unit 230VAC/12VDC-500mA w. UK mains connector



Maße/Dimensions: mm

e-mail: info@eneo-security.com • www.eneo-security.com