

Video Security

Dome Cameras | eneo Vandalism-Proof Fix Domes

VK-1318/WDDG2

1/3" B/W Dome Camera, Surface Mount with
4-8mm Varifocal Lens, 12VDC, 600TVL

Art-No. 91897



Features

For Wall and Drop-ceiling Mount

Vandal and Tamper-Resistant

Clear Lexan Bubble with Inner Liner

1/3" CCD Board Camera w. Manual Varifocal Lens

Integrated F2.0/4-8mm Varifocal Lens

Resolution of 600 Horizontal Lines

Automatic Shutter Control (AES)

Automatic Gain Control (AGC)

For Easy Indoor and Outdoor Installation

Manual 3-axis Camera Adjustment

Specifications

Video standard	CCIR
System	black/white
Sensor size	1/3"
Imager	CCD, Sony Super HAD Interline Transfer CCD
Active picture elements	approx. 440,000, 752(H) x 582(V)
Synchronization	Internal
Sensitivity (at 50% video signal)	0,75Lux, at F1.2 (VT measurement result), 2.1Lux at F2.0
Horizontal resolution	600TVL
Rotation range	manual: 360°
Gamma correction	0.45
Automatic shutter control (AES)	1/50 ~ 1/100,000sec.
Integration rate	no
Backlight compensation	no
IR cut filter	no
Video outputs (type)	VBS
Video outputs	1Vp-p, VBS, 750hm
Lens mount	integrated lens
Lens type	varifocal
Lens	F 2.0~2.8 / 4~8mm (fixed iris)

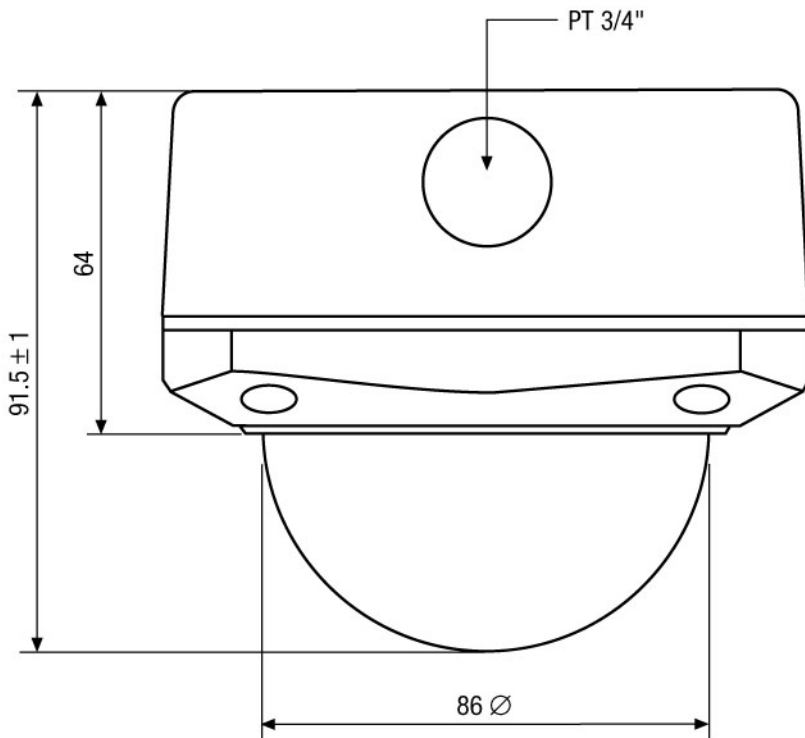
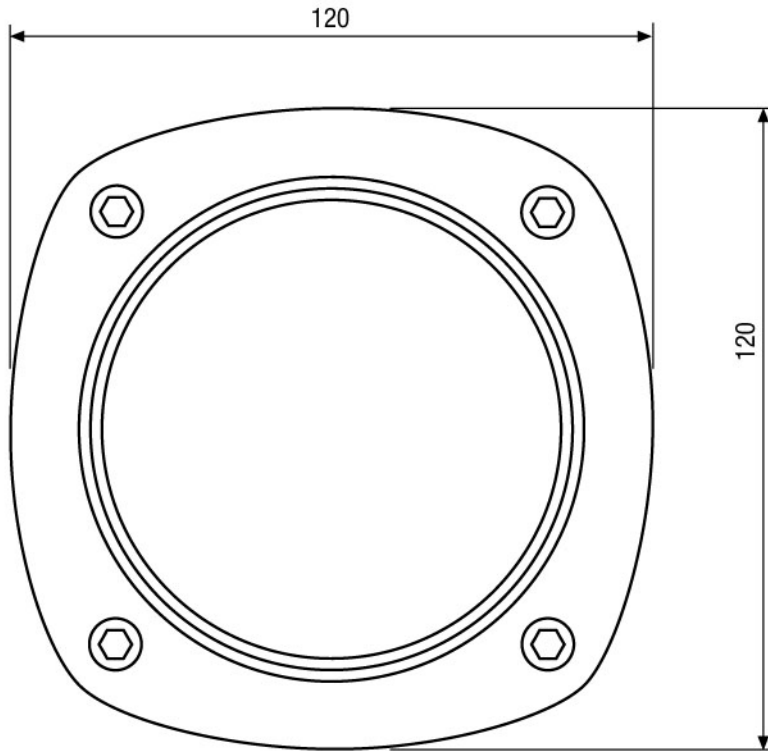
VK-1318/WDDG2

(Specifications continued)

Application range	security
Nominal format size	1/3"
Aspherical technology	no
Focal length	4-8mm
Horizontal angle of view	63-34°
Iris control	no
Mount	n/a
Cable connection	Open leads
Cable entry	3/4" and 1/2" thread for conduit glands, lock stopper included
Serial interfaces	no
Temperature range (Operation)	-10° ~ +50°C
Heater	optional
Thermostat switching points	+2.4°C ON / +22°C OFF (heater kit 12V, #71664, optional)
Temperature range with built-in heater	-30°C ~ +50°C
Protection rating	IP65, at installation according to the manual
Supply voltage	12VDC
Power consumption	approx. 1.4watts
Vandalism resistant	yes
Bubble	Vandal resistant 3mm clear polycarbonate bubble with inner liner
Colour (bubble)	clear
Camera fixing	board
Mounting	wall mount, surface mount
Housing	outdoor housing, Die-cast aluminium with clear polycarbonate bubble
Housing material	aluminium
Colour (housing)	Pantone Cool Gray 1C
Dimensions (HxWxD)	See drawing
Weight	approx. 750g
Parts supplied	Mounting kit, 1/2" gland, Blind covers, Torx wrench key

Accessories

73844 / FW7362/12	Plugable AC/DC Adapter 100-240V/12VDC-2.5A, Regulated
70448 / VT-PS12DC-6	Plug-in Power Supply Unit 100-240VAC 12VDC (1.0Amp), Regulated, w. open Ends
77773 / VT-PS12DCDT1	PSU 12VDC/1.0A, Regulated, Desktop Version, 1.8m Cables each w. open ends
71664 / WDDG2/H12	Low Voltage Heater Kit 12V/8W for WDDG-2 housing
88149 / 3/4" - M25X1.5	Thread Adapter 3/4" - Conduit Connection M25x1.5mm for Dome Surface Mount Housing



Maße/Dimensions: mm

VIDEOR TECHNICAL E. Hartig GmbH
 Carl-Zeiss-Straße 8 · 63322 Rödermark · Germany
 Telefon +49 (0) 60 74/8 88-0 · Telefax +49 (0) 60 74/8 88-100
 info@videortechnical.com · www.videortechnical.com