

# Video Security

Housings | eneo CANDID Housings

## VHP-1

Candid Junior I Weatherproof Housing  
with Wall Mount WD-21

Art-No. 79498



## Features

Camera Weatherproof Housing (32x32mm Brd.  
For Wall and Ceiling Mounting  
For Cameras with upto 24 V Power Supply  
Insulated Camera Mounting

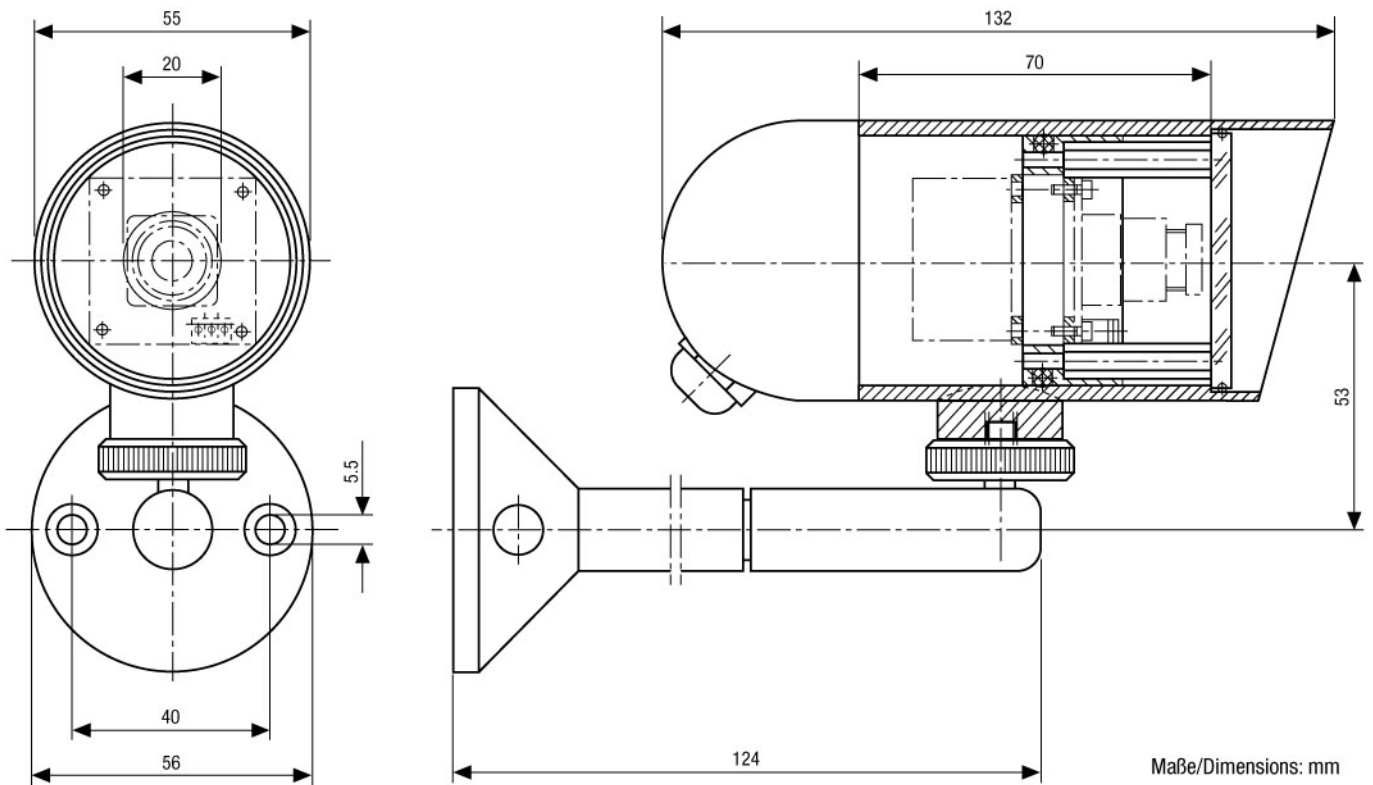
Cable Entry: M12x1.5  
Index of Protection: IP66/67  
Wall Bracket Included

## Specifications

Maximum installation length	70mm
Cable entry	M12 x 1.5mm cable gland for a multi core cable
Window heater	No
Housing	Aluminium w. glass front screen
Sunshield	No
Protection rating	IP66/67
Colour	Anodized aluminium (CO)
Dimensions (HxWxD)	See drawing
Weight (w./o. wall bracket)	250g
Parts supplied	3mm Allen wrench key, Bag of fixing screws

## Accessories of

91746 / VK-133	1/3" B/W Board Camera with 3.8mm Lens 12VDC, 420TVL
91756 / VKC-144	1/4" Colour Board Camera with 3.6mm Lens 12VDC, 380TVL
91842 / VK-1318/VAR48	1/3" B/W Board Camera with 4-8mm Varifocal Lens, 12VDC, 600TVL
91926 / VK-1317S	1/3" B/W Board Camera with 3,8mm Lens, 12VDC, 600TVL, 2,1Lux



Die Kamera gehört nicht zum Lieferumfang / Camera is not subject of delivery

VIDEOR TECHNICAL E. Hartig GmbH  
 Carl-Zeiss-Straße 8 · 63322 Rödermark · Germany  
 Telefon +49 (0) 60 74/8 88-0 · Telefax +49 (0) 60 74/8 88-100  
 info@videortechnical.com · www.videortechnical.com