



Weatherproof Housings (Compact)

FDP-No.: 79017

VHL-3EC

- Camera Weatherprotection
- Fold-down Housing Body
- 4 Levels of Camera Height Adjustment
- Housing Body Length: 300 mm
- 2 Cable Entries
- Insulated Camera Mounting
- Screen Heater Included



Wall bracket is not included with the housing

Specifications:

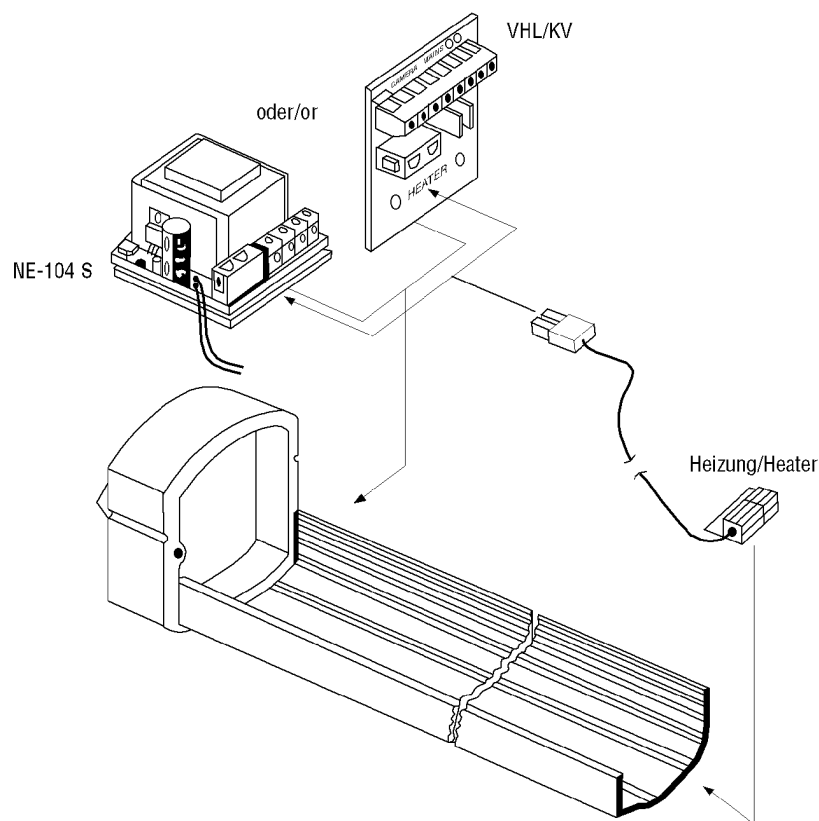
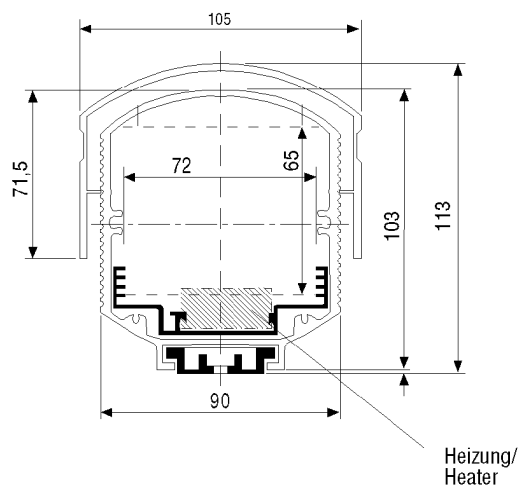
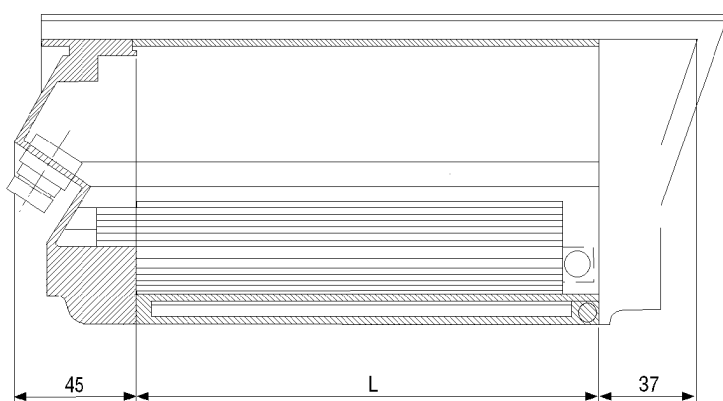
Housing length (L)	300 mm
Maximum installation length	310 mm
Necessary space for PSU	70 mm
Cable entries	2x PG9
Screen heater	110-265 V
Sunshield	Yes
Protection rating	IP 66
Housing	Aluminium
Colour	Silvergrey anodized / black end caps
Dimensions (HxWxD)	See drawing
Weight	2 kg

Accessories

EDP No. / Type	Description
73012 WD-14/MK	Wall bracket with swivel head, recommended for housings VHL, black finish
71626 VHL/H24	Window heater 12-30 VAC/DC for VHL housing series

VHL-3EC

EDP No. / Type	Description
79274 VHL-VHB/KVS	Screw terminal PCB for VHL/VHB housing series, with fuse 1,25 A
79046 VHL-VHB/KV	Screw terminal PCB for VHL/VHB housing series
79072 VHL/ACS	Double glazed front window for VHL housings
79281 VHL-VHB-VHM/TH2	Thermostat switch for VHB/VHL/VHM housings, switching points: +16°C (On), +20°C (Off)
79333 NE-104S	Power supply unit 12 VDC-400 mA stabilized output voltage, with fuse 1,25 A, suitable for VHL housing series
70599 VZS-6	Plugable twisted-pair video signal transmitter, 1 coaxial input, 1 TP output, 12 VDC



Maße/Dimensions: mm

e-mail: info@eneo-security.com • www.eneo-security.com